

Prague Gooseneck Pullout Mixer Installation Guide

Installation Guide

Mercer Gooseneck Pullout Mixers: AM071, AM073, AM072, AM075, AM077

Technical Specifications

Maximum pressure 500 kPa (5bar)

Minimum pressure 50 kPa (0.5bar)

Maximum temperature 80°C

Flow rate: TBA

For mains pressure only

Inlet connections: ½ inch

IMPORTANT: Read all instructions before installation.

General

Mercer recommends using a licensed plumber to install your new tapware.

All pipe work must be thoroughly flushed prior to installation.

Do not hydrostatic test the Mercer tapware as this may damage the ceramic cartridge.

Do not remove the ceramic cartridge.

Suitable for benchtops up to 40mm thick (check length of threaded mounting hardware before installation).

Hole diameter for mounting 35mm.

Installation – Gooseneck Pullout Mixers

1. Turn off water supply.
2. Drill 35mm Ø hole in benchtop or use existing hole. Note: Tap holes must be pre-drilled by the benchtop fabricator when using composite stone or ceramic benchtops or composite sinks with a tap mounting flange.
3. Ensure rubber washer is inserted into base of faucet body.
4. Remove locking clamp, metal & rubber washers from threaded mounting hardware, and ensure mounting hardware is firmly screwed into base of faucet.
5. Attach flexible hoses to extended pipe connectors and ensure correct polarity: Blue to C and Red to H.
6. Insert flexible hoses and pullout hose through tap hole in benchtop and lower tap assembly into position.
7. Slide rubber washer onto threaded mounting hardware, followed by metal washer and then locking clamp. Tighten clamp ensuring tap is correctly aligned. Tighten screws to lock into place.

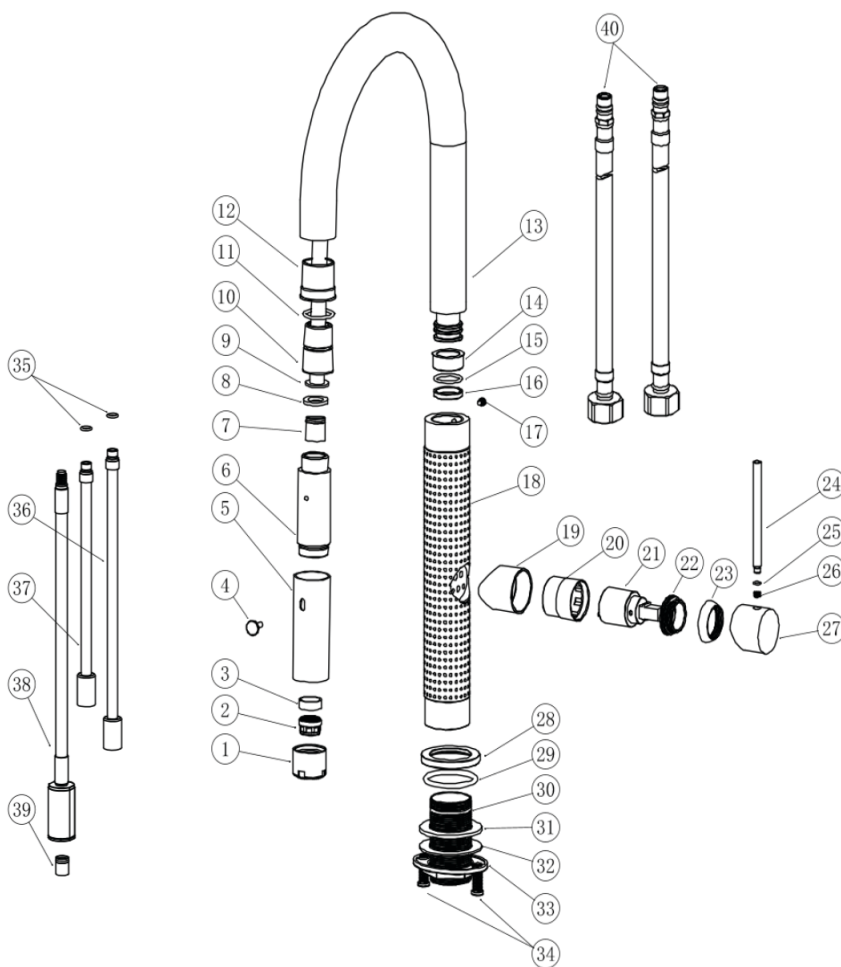
Note: For stainless steel benchtops fit plastic triangular support before fitting washers and locking clamp.

8. Fit counterweight to flexible pullout hose so that spray nozzle is approximately 50mm above bottom of sink when fully extended.

Note: To ensure spray nozzle retracts smoothly a clear space of up to 550mm is required between the underside of benchtop and the top of any shelf or the cabinetry base.

9. Connect flexible hoses to hot and cold water supplies. Turn on water and check for leaks.

Prague Gooseneck Pullout Mixer Installation Guide GOOSENECK PULLOUT MIXER PARTS LIST



Parts List / Number

1. Aerator Cap - 680300010010
2. Aerator - 610600000000
3. Hand Spray Hose Kit - 610800000000
4. Hand Spray Hose Kit - 680400010008
5. Hand Spray Hose Kit - 680400010002
6. Hand Spray Hose Kit - 610800000008
7. Hand Spray Hose Kit - 610800000009
8. Hand Spray Hose Kit - 680400010010
9. Pull out hose - 680400010024
10. Connector - 610700000001
11. O Ring - 610900000001
12. Spout - 680500000085
13. Spout - 680300010092
14. Washer - 680500000079
15. O Ring - 610900000004
16. Collar Nut - 680500000080
17. Screw - 610800000040
18. Faucet Body Kit - 680303010002
19. Faucet Body Kit - 680400010195
20. Faucet Body Kit - 680400000251
21. Cartridge - WBP913550
22. Collar Nut - 680400000040
23. Trim Cap - 680400010041
24. Faucet Lever - 680400010154
25. O Ring - 610900000015
26. Screw - 610800000048
27. Handle - 680300010125
28. Base - 680400010169
29. O Ring - 610900000049
30. Mounting Hardware - 680400000253
31. Rubber Washer - 610900000006
32. Metal Washer - 610800000007
33. Locking Clamp - 610800000005
34. Screw - 610800000011
35. O Ring - 610900000017
36. Cold Water Supply - 680309000021
37. Hot Water Supply - 680309000020
38. Quick Connector - 611000000014
39. Flow Controller - 610700000026
40. Flexible Hose - 611000000002