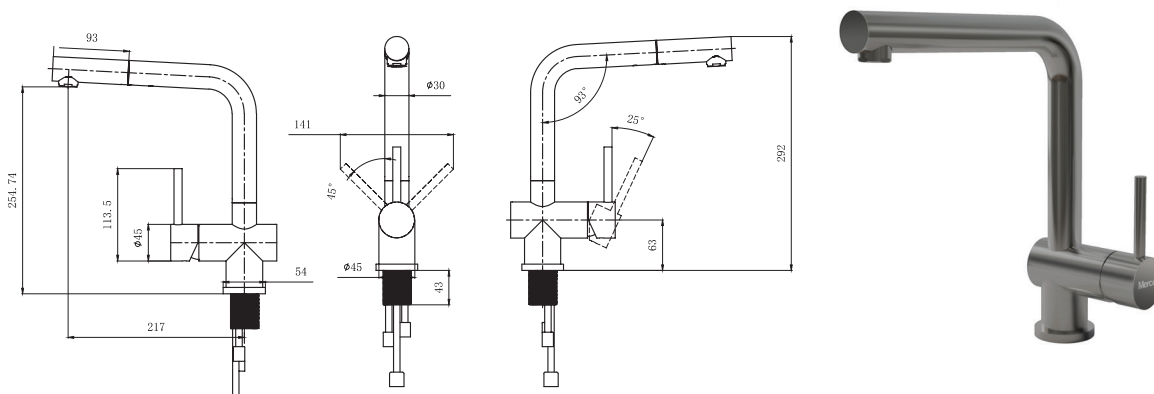


A sleek, stylish, L-Shape mixer. The elegant cylindrical form reflects modern design trends and is manufactured to the highest quality standards.

The Mercer AM043 is made from a robust stainless steel providing a stable and hygienic surface.



### SPECIFICATIONS

**Code:** AM043

**Type:** Pullout

**Max Pressure:** 500 kPa (5 bar)

**Min Pressure:** 50 kPa (.5 bar)

**Flow Rate:** 5.0 l/min

**Material:** Stainless steel

**Finish:** Brushed

**WELS star rating:** 6

**Installation:** Mains Pressure Only

### FEATURES

Kerox ceramic cartridge 35mm

360° swivel spout

45° lever movement both ways

Anti lime scale aerator

Cut out Ø35mm

Fits up to 40mm thick bench

5-year warranty (2-years on cartridge)

## Associated Products



Lotion Dispenser - Gunmetal  
AL043



Folding Mat - Gunmetal  
AR055



Colander - Gunmetal  
AC401



Draining Tray - Gunmetal  
AT023



Waste Kit (No overflow)  
- Gunmetal AW423