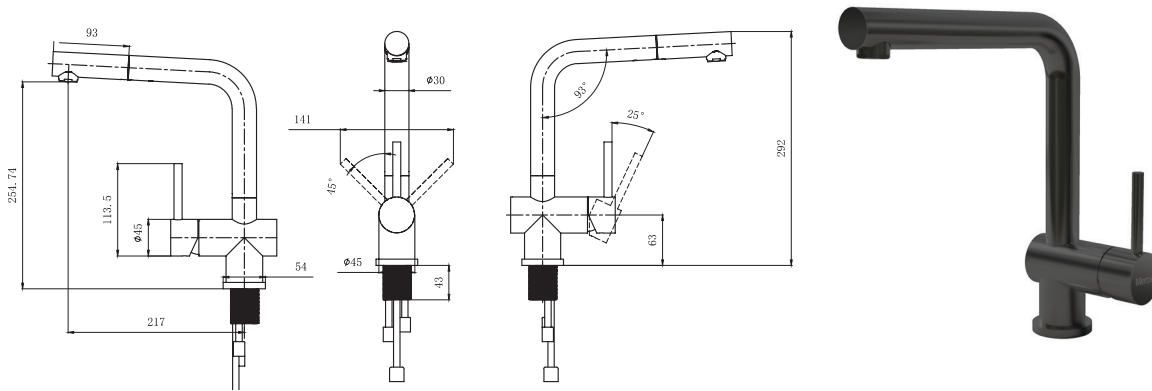


A sleek, stylish, L-Shape mixer. The elegant cylindrical form reflects modern design trends and is manufactured to the highest quality standards.

The Mercer AM042 is made from a robust stainless steel providing a stable and hygienic surface.



SPECIFICATIONS

Code: AM042

Type: Pullout

Max Pressure: 500 kPa (5 bar)

Min Pressure: 50 kPa (.5 bar)

Flow Rate: 5.0 l/min

Material: Stainless steel

Finish: Brushed

WELS star rating: 6

Installation: Mains Pressure Only

FEATURES

Kerox ceramic cartridge 35mm

360° swivel spout

45° lever movement both ways

Anti lime scale aerator

Cut out Ø35mm

Fits up to 40mm thick bench

5-year warranty (2-years on cartridge)

Associated Products



Lotion Dispenser - Black
AL049



Folding Mat - Black
AR051



Colander - Black
AC409



Draining Tray - Black
AT029



Waste Kit (No overflow)
- Black AW429