

# Porto Gooseneck Mixer Installation Guide

## Installation Guide

Mercer Gooseneck Mixers: AM021, AM022, AM023, AM025, AM027

## Technical Specifications

Maximum pressure 500 kPa (5bar)

Minimum pressure 50 kPa (0.5bar)

Maximum temperature 80°C

Flow rate: 6.0l/min

For mains pressure only

Inlet connections: ½ inch

**IMPORTANT: Read all instructions before installation.**

## General

Mercer recommends using a licensed plumber to install your new tapware.

All pipe work must be thoroughly flushed prior to installation.

Do not hydrostatic test the Mercer tapware as this may damage the ceramic cartridge.

Do not remove the ceramic cartridge.

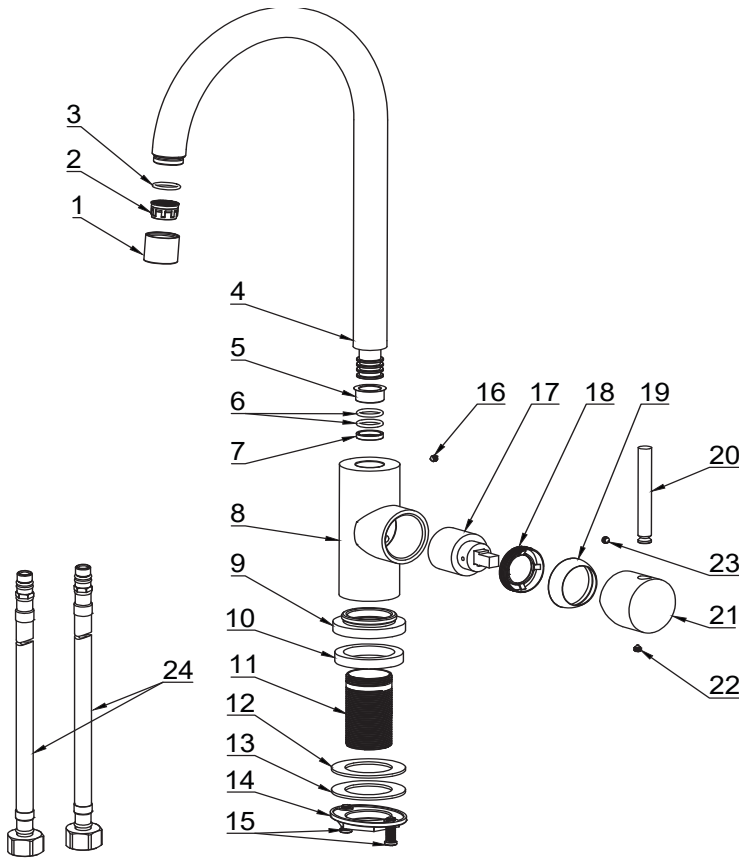
Suitable for benchtops up to 40mm thick (check length of threaded mounting hardware before installation).

Hole diameter for mounting 35mm.

## Installation – Gooseneck Mixers

1. Turn off water supply.
2. Drill 35mm Ø hole in benchtop or use existing hole. Note: Tap holes must be pre-drilled by the benchtop fabricator when using composite stone and ceramic benchtops or composite sinks with a tap mounting flange.
3. Ensure rubber washer is inserted into base of faucet body.
4. Remove locking clamp, metal & rubber washers from threaded mounting hardware, and ensure mounting hardware is firmly screwed into base of faucet.
5. Attach flexible hoses into base of faucet body and ensure correct polarity: Blue to C and Red to H.
6. Insert flexible hoses through tap hole in bench top and lower tap assembly into position.
7. Slide rubber washer onto threaded mounting hardware, followed by metal washer and then locking clamp. Tighten locking clamp ensuring tap is correctly aligned. Tighten screws to lock into place.  
**Note:** For stainless steel benchtops fit plastic triangular support before fitting washers and locking clamp.
8. Connect flexible hoses to hot and cold water supplies. Turn on water and check for leaks.

## Porto Gooseneck Mixer Installation Guide GOOSENECK MIXER PARTS LIST



### Parts List / Number

1. Aerator Cap - 680400010006
2. Aerator - 610700000003
3. Spout O Ring - 610900000001
4. Spout - 680300010006
5. Washer - 680500000001
6. O Ring - 610900000010
7. Collar Nut - 680500000002
8. Faucet Body Kit - 680300010002
9. Base - 680400010009
10. Rubber Washer - 610900000005
11. Mounting Hardware - 610800000036
12. Rubber Washer - 610900000006
13. Metal Washer - 610800000010
14. Locking Clamp - 610800000003
15. Locking Screws - 610800000011
16. Screw - 610800000040
17. Cartridge - WBP913551
18. Collar Nut - 610800000001
19. Trim Cap - 680400010008
20. Handle - 680400010010
21. Faucet Lever - 680400010002
- 22 & 23. Screw - 610800000008
24. Flexible Hose - 611000000002