

Aurora Gooseneck Pullout Mixer Installation Guide

Installation Guide

Mercer Gooseneck Pullout Mixers: AM011, AM012, AM013, AM015, AM017

Technical Specifications

Maximum pressure 500 kPa (5bar)

Minimum pressure 50 kPa (0.5bar)

Maximum temperature 80°C

Flow rate: 4.5l/min

For mains pressure only

Inlet connections: ½ inch

IMPORTANT: Read all instructions before installation.

General

Mercer recommends using a licensed plumber to install your new tapware.

All pipe work must be thoroughly flushed prior to installation.

Do not hydrostatic test the Mercer tapware as this may damage the ceramic cartridge.

Do not remove the ceramic cartridge.

Suitable for benchtops up to 30mm thick (check length of threaded mounting hardware before installation).

Hole diameter for mounting 35mm.

Installation – Gooseneck Pullout Mixers

1. Turn off water supply.
2. Drill 35mm Ø hole in benchtop or use existing hole. Note: Tap holes must be pre-drilled by the benchtop fabricator when using composite stone or ceramic benchtops or composite sinks with a tap mounting flange.
3. Ensure rubber washer is inserted into base of faucet body.
4. Remove locking clamp, metal & rubber washers from threaded mounting hardware, and ensure mounting hardware is firmly screwed into base of faucet.
5. Attach flexible hoses to extended pipe connectors and ensure correct polarity: Blue to C and Red to H.
6. Insert flexible hoses and pullout hose through tap hole in benchtop and lower tap assembly into position.
7. Slide rubber washer onto threaded mounting hardware, followed by metal washer and then locking clamp. Tighten clamp ensuring tap is correctly aligned. Tighten screws to lock into place.

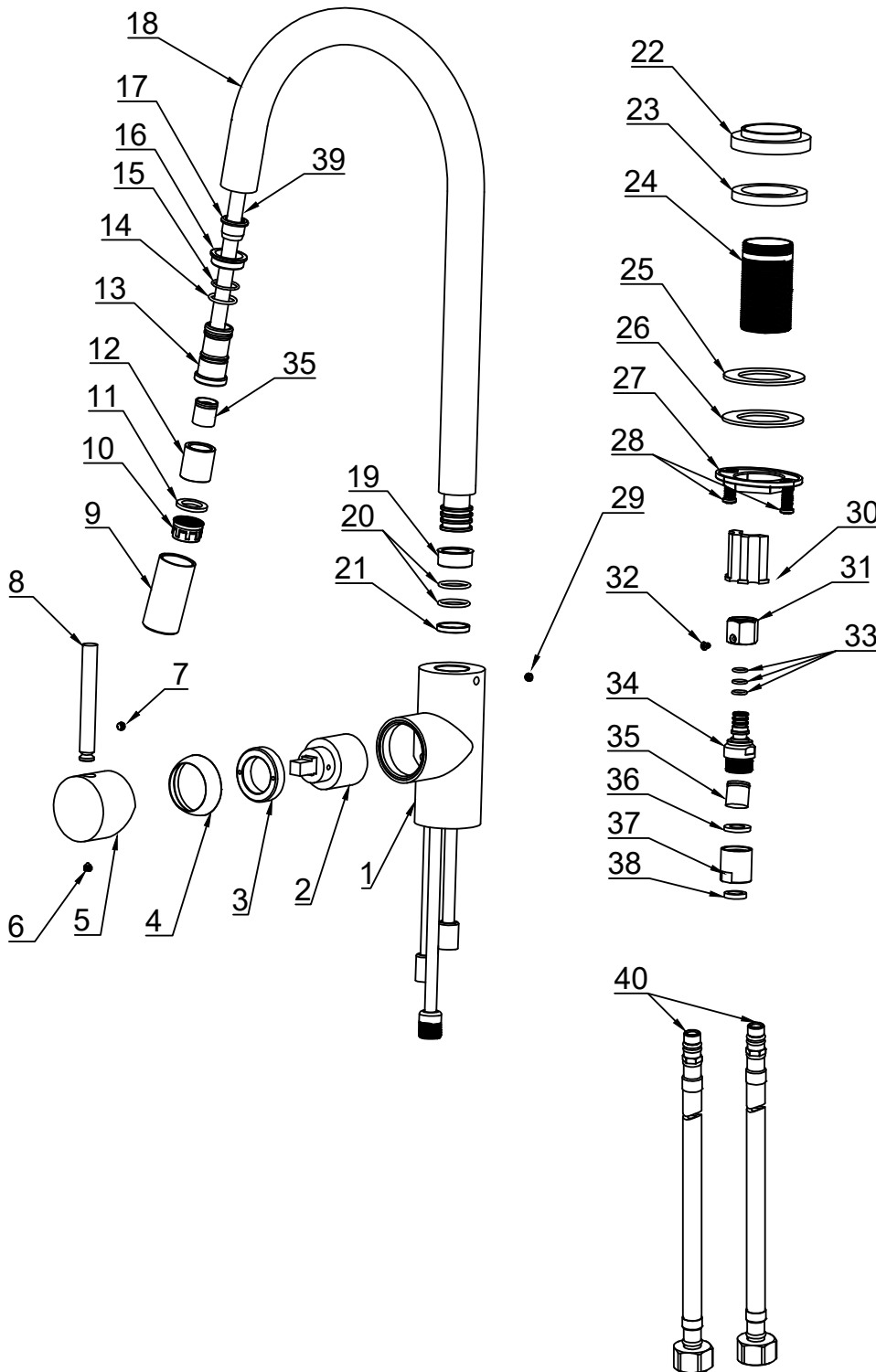
Note: For stainless steel benchtops fit plastic triangular support before fitting washers and locking clamp.

8. Fit counterweight to flexible pullout hose so that spray nozzle is approximately 50mm above bottom of sink when fully extended.

Note: To ensure spray nozzle retracts smoothly a clear space of up to 550mm is required between the underside of benchtop and the top of any shelf or the cabinetry base.

9. Connect flexible hoses to hot and cold water supplies. Turn on water and check for leaks.

GOOSENECK PULLOUT MIXER PARTS LIST



Parts List / Number

1. Faucet Body Kit - 680300010010
2. Cartridge - 610600000000
3. Collar Nut - 610800000000
4. Trim Cap - 680400010008
5. Faucet Lever - 680400010002
6. Screw - 6108000000008
7. Screw - 6108000000009
8. Handle - 6804000100010
9. Aerator Cap - 680400010024
10. Aerator - 6107000000001
11. Spout O Ring - 6109000000001
- 12 - 17. Hand Spray hose kit - 6804000000025
18. Spout - 6803000100011
19. Washer - 6805000000004
20. O Ring - 6109000000004
21. Collar Nut - 6805000000005
22. Base - 680400010029
23. Rubber Washer - 6109000000005
24. Mounting Hardware - 6108000000036
25. Rubber Washer - 6109000000006
26. Metal Washer - 6108000000010
27. Locking Clamp - 6108000000003
28. Locking Screws - 6108000000000
29. Screw - 6108000000040
30. Pull out hose guide - 6105000000009
31. Nut - 6804000000028
32. Screw - 6108000000013
33. O Ring - 6109000000007
34. Connector - 6804000000026
35. Check-valve - 6107000000002
36. Spout O Ring - 6109000000008
37. Connector - 6804000000027
38. Washer
39. Pull Out Hose - 6110000000006
40. Flexible Hose - 6110000000002