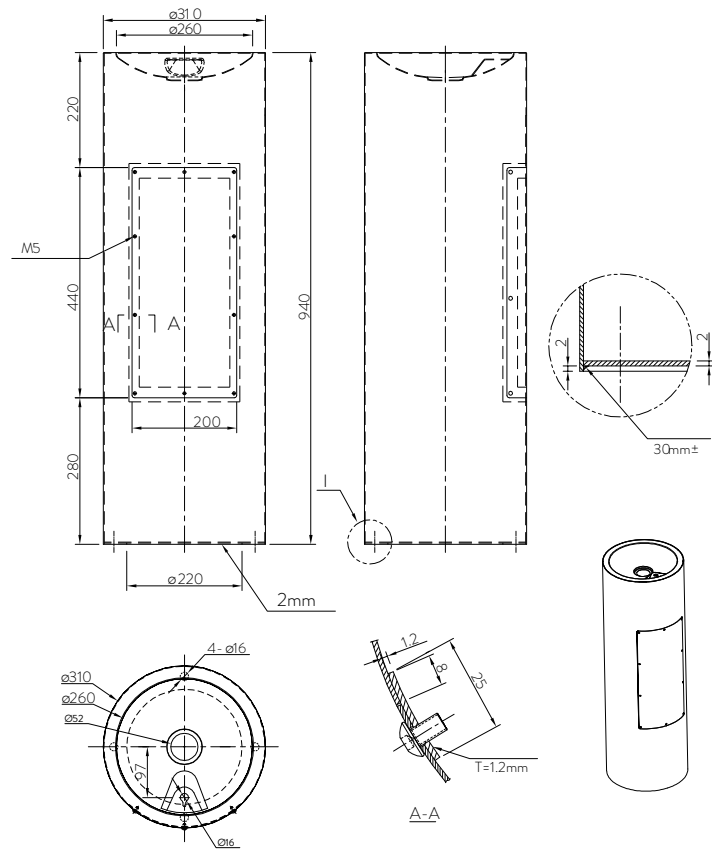


## DF2 DRINKING FOUNTAIN FLOOR STANDING

The ACERO DF2 Stainless Steel Floor Mounted Drinking Fountain is made from durable 304 grade stainless steel providing a stable and hygienic surface. This stylish modern designed model would look great in any situation.

The DF2 is suitable for education, parks, beaches or public amenities.

The cylindrical design allows the DF2 to be installed against a wall or in a corner and with no sharp edges, it will not cause injury.



### SPECIFICATIONS

**Code:** DF2

**Type:** Drinking Fountain

**Dimensions:** Ø310 x 940mm

**Material:** 1.2mm 304 Stainless steel

**Finish:** Satin

### FEATURES

Radius extental corners

Access panel with security screws

40mm flat waste

Bubbler

## ASSOCIATED PRODUCTS



DFB1  
Drinking Fountain  
Bubbler