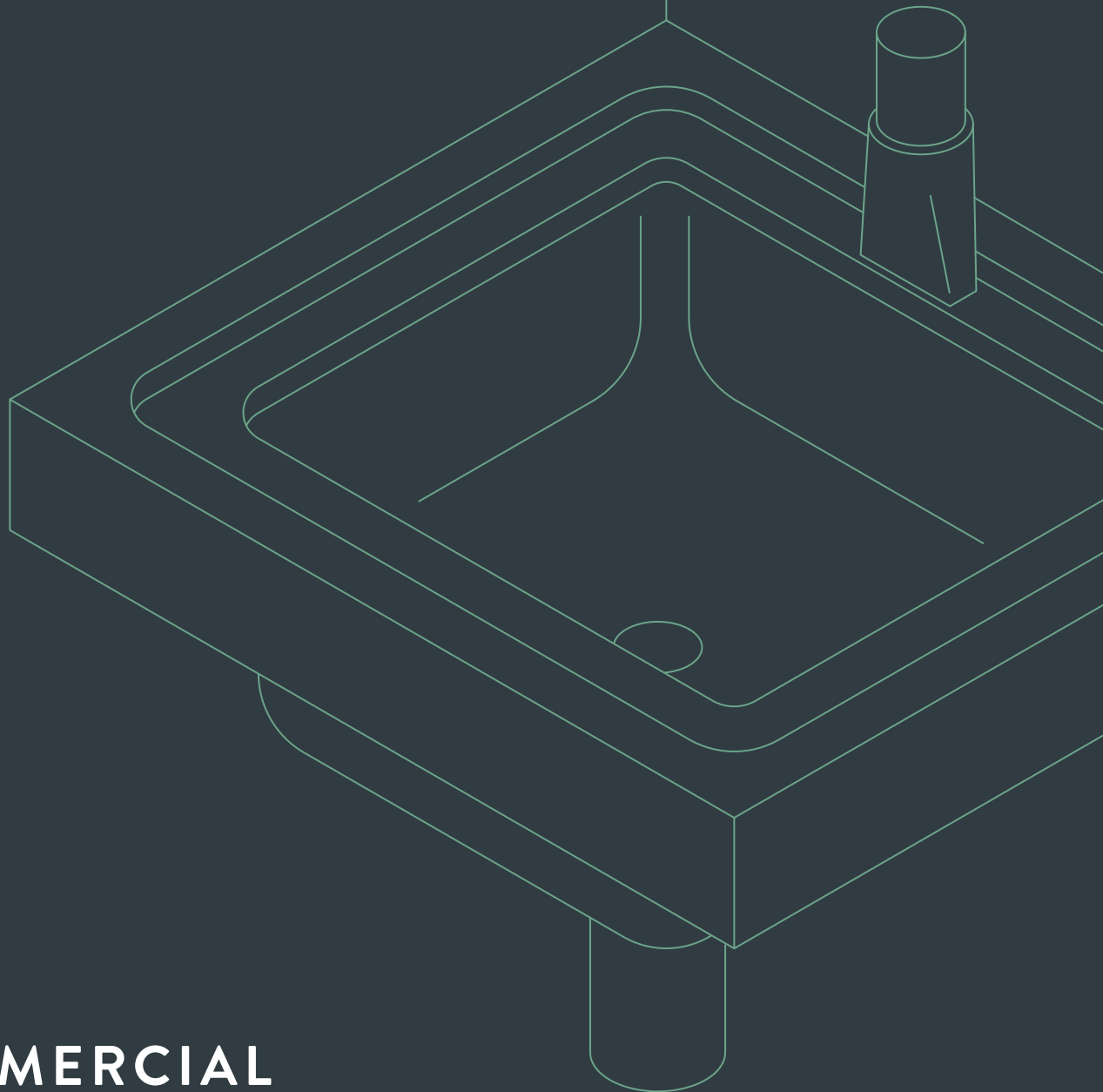


# Mercer

by Acero



## COMMERCIAL CATALOGUE

Product Range

2023



## CONTENTS

<b>Hand Wash Basins</b>	<b>4</b>	<b>Washroom Taps and Accessories</b>	<b>21</b>
Premium Range	5	Washroom Accessories	22
Standard Range	6	Taps	24
Hands Free	6		
Multi Basins	7	<b>Waste Kits</b>	<b>26</b>
Wash Troughs	8	<b>Drinking Fountains</b>	<b>28</b>
		<b>Shower Trays</b>	<b>30</b>
<b>Toilets and Urinals</b>	<b>10</b>	<b>Commercial Sink Bowls</b>	<b>33</b>
Toilets	11	<b>Standard Benches</b>	<b>36</b>
Urinals	13	<b>Acero Stainless Steel Benches</b>	<b>42</b>
Custom Urinals	14	<b>Warranty</b>	<b>45</b>
<b>Cisterns</b>	<b>16</b>		
<b>Healthcare</b>	<b>18</b>		
Sluice Sinks	19		
Wash Stations	19		
Cleaner Sinks	20		
Baby Bath	20		



# Mercer

by Acero

## KIWI EXCELLENCE IN KITCHEN, BATHROOM AND COMMERCIAL INTERIOR PRODUCTS.

Acero leads the way with its iconic NZ-made Mercer stainless steel products supported by a range of on-trend imported tapware, sink accessories and commercial washroom products.

We are proud to manufacture and distribute a range of market leading commercial products from our Christchurch site.

Our traditional methods combined with modern technology mean we continue to craft and source premium products that we are proud to put our name behind.

## PREMIUM RANGE

**HWB1** Hand Wash Basin Round Bowl Compact



**Features**

- 370 x 370 x 275mm
- Heavy duty 1.2mm, 304 grade stainless steel
- Vandal resistant and tamper proof
- Fully welded, seamless construction
- Completely concealed plumbing
- Rolled front edge and no sharp corners
- Rear keyhole fixing points
- 40mm stainless steel 40mm stainless steel 'flat waste'
- Low profile P Trap (AW401)

**Optional**

- Tapholes punched

**HWB2** Hand Wash Basin Oval Bowl



**Features**

- 450 x 400 x 280mm
- Heavy duty 1.2mm, 304 grade stainless steel
- Vandal resistant and tamper proof
- Completely concealed plumbing
- Rolled front edge and no sharp corners
- Rear keyhole fixing points
- Access panel with security screws
- 40mm stainless steel flat waste
- Low profile P trap (AW401)

**Optional**

- Tapholes punched

**HWB4** Hand Wash Basin Round Bowl



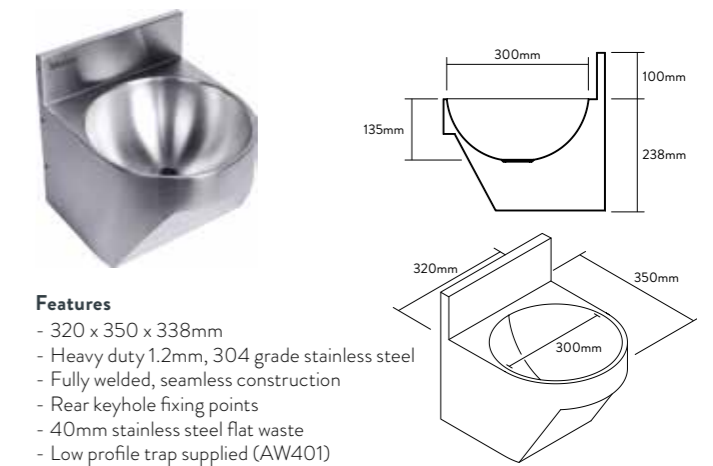
**Features**

- 400 x 390 x 225mm
- Heavy duty 1.2mm, 304 grade stainless steel
- Fully welded, seamless construction
- Rear keyhole fixing points
- 40mm stainless steel flat waste

**Optional**

- Tapholes punched

**HWB5** Hand Wash Basin Round Bowl Compact



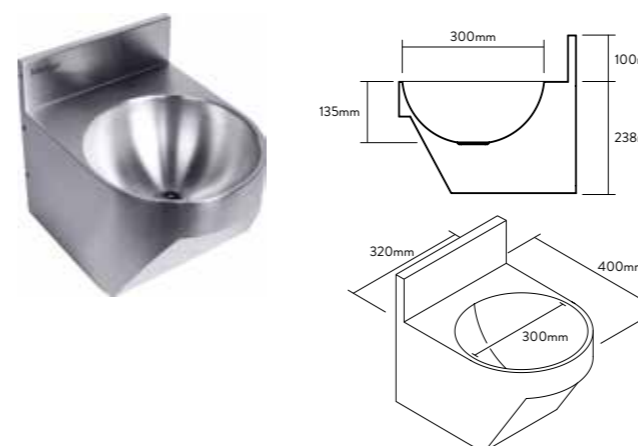
**Features**

- 320 x 350 x 338mm
- Heavy duty 1.2mm, 304 grade stainless steel
- Fully welded, seamless construction
- Rear keyhole fixing points
- 40mm stainless steel flat waste
- Low profile trap supplied (AW401)

**Optional**

- Tapholes punched

**HWB6** Accessible Hand Wash Basin Round Bowl



**Features**

- 320 x 400 x 338mm
- Heavy duty 1.2mm, 304 grade stainless steel
- Vandal resistant and tamper proof
- Fully welded, seamless construction
- Completely concealed plumbing
- Rear keyhole fixing points
- Includes access panel with security screws
- 40mm stainless steel flat waste
- Low profile trap supplied (AW401)

**Optional**

- Tapholes punched

# HAND WASH BASINS



# STANDARD RANGE

**G1 Hand Wash Basin Oval Bowl**



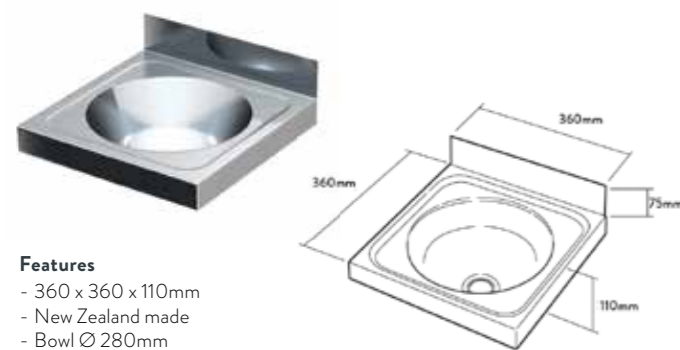
- Features**
- 500 x 420 x 170mm
  - New Zealand made
  - 0.9mm, 304 grade stainless steel
  - Brackets included
  - 40mm waste outlet, plug & waste included
  - Anti spill edge
- Optional**
- Tapholes punched

**G3 Hand Wash Basin Large Round Bowl**



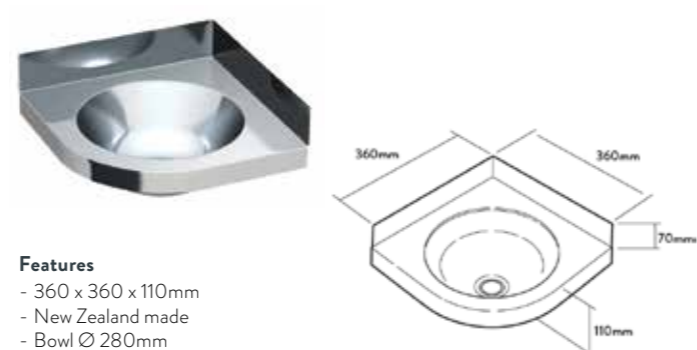
- Features**
- 560 x 405 x 130mm
  - New Zealand made
  - Bowl Ø 335mm
  - 0.9mm, 304 grade stainless steel
  - Brackets included
  - 40mm waste outlet, plug & waste included
  - Anti spill edge
- Optional**
- Tapholes punched

**G4 Hand Wash Basin Round Bowl Square**



- Features**
- 360 x 360 x 110mm
  - New Zealand made
  - Bowl Ø 280mm
  - 0.9mm, 304 grade stainless steel
  - Brackets included
  - 40mm waste outlet, plug & waste included
  - Anti spill edge
- Optional**
- Tapholes punched

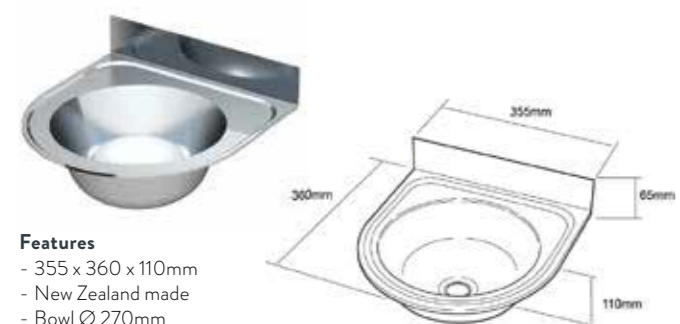
**G6 Hand Wash Basin Round Bowl Corner**



- Features**
- 360 x 360 x 110mm
  - New Zealand made
  - Bowl Ø 280mm
  - 0.9mm, 304 grade stainless steel
  - Brackets included
  - 40mm waste outlet, plug & waste included
- Optional**
- Tapholes punched

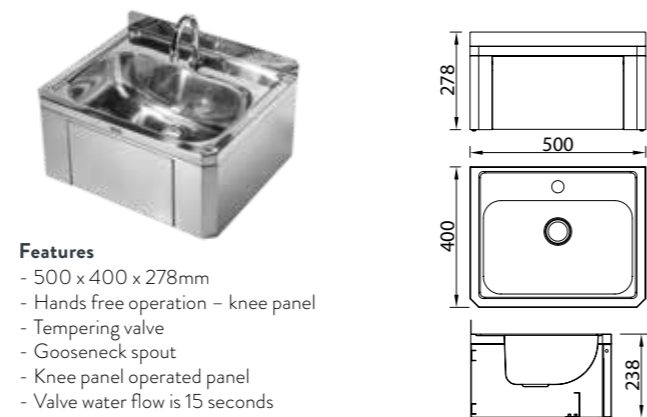
## HANDS FREE

**G7 Hand Wash Basin Round Bowl Round**



- Features**
- 355 x 360 x 110mm
  - New Zealand made
  - Bowl Ø 270mm
  - 0.9mm, 304 grade stainless steel
  - Brackets included
  - 40mm waste outlet, plug & waste included
  - Anti spill edge
- Optional**
- Tapholes punched

**HFB3 Hand Wash Basin Knee Operated**



- Features**
- 500 x 400 x 278mm
  - Hands free operation – knee panel
  - Tempering valve
  - Gooseneck spout
  - Knee panel operated panel
  - Valve water flow is 15 seconds
  - Flexible connection
  - 40mm stainless steel flat waste
  - Rear keyhole fixing points
  - Anti spill edge

# MULTI BASINS

**M SERIES Multi Basin**



- (M3 shown)
- Features**
- New Zealand made
  - Available in multiples of up to four G1 basins
  - 0.9mm, 304 grade stainless steel
  - Seamless join between bowls
  - 40mm waste outlet, plug & waste included
  - 75mm upstand
  - Brackets included
- Optional**
- Overflow holes provided on request
  - Tapholes punched

Model	Code (No overflows)	Code (Overflows)	QTY	Length
M2	BP331006	BP331006-O	2 Basins	995mm
M3	BP331012	BP331012-O	3 Basins	1490mm
M4	BP331018	BP331018-O	4 Basins	1985mm

**MA SERIES Multi Basin**



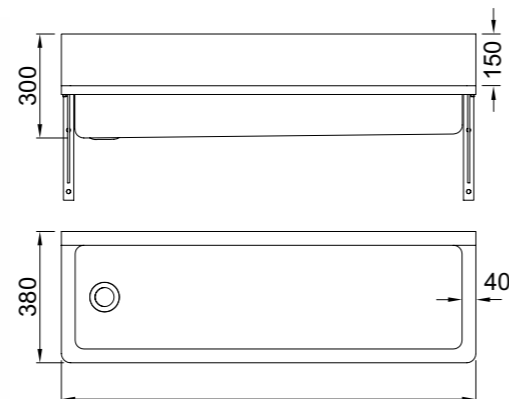
- (M3A shown)
- Features**
- New Zealand made
  - Bowl Ø 335mm
  - Available in multiples of up to four units G3 basins
  - 0.9mm, 304 grade stainless steel
  - Seamless join between bowls
  - 40mm waste outlet, plug & waste included
  - 75mm upstand
  - Brackets included
- Optional**
- Overflow holes provided on request
  - Tapholes punched

Model	Code (No overflows)	Code (Overflows)	QTY	Length
M2A	BP331106	BP331106-O	2 Basins	1105mm
M3A	BP331112	BP331112-O	3 Basins	1665mm
M4A	BP331118	BP331118-O	4 Basins	2205mm

# STANDARD WASH TROUGHS



**WT SERIES** Wash Trough All Radius Corners



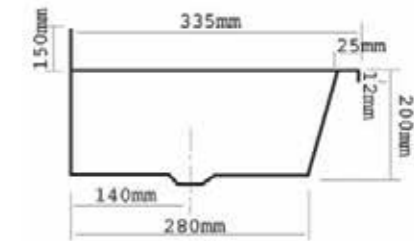
**Features**

- Heavy duty 1.2mm 304 grade stainless steel
- Radius internal corners - easy cleaning
- Radius external corners - added safety
- Left hand waste position
- Wall Mounting Brackets Supplied
- 40mm waste outlet, plug & waste included
- Ideal for schools, kindergartens, factories and public amenities

Model	Length
WTB600L	600mm
WTB900L	900mm
WTB1200L	1200mm
WTB1500L	1500mm
WTB1800L	1800mm
WTB2100L	2100mm

# CUSTOM WASH TROUGHS

**TYPE A** Custom Wash Trough Square Corners



**Features**

- New Zealand made
- Heavy duty 1.2mm, 304 grade stainless steel
- Wall mounting brackets supplied
- 40mm waste outlet included

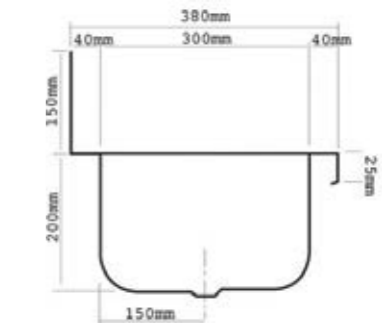
**Optional**

- 316 grade stainless steel
- Waste centre, left or right

Custom wash troughs can be made to any length. Type A is a cost effective option when a non standard length or waste position is required.



**TYPE B** Custom Wash Trough Square Corners



**Features**

- New Zealand made
- Heavy duty 1.2mm, 304 grade stainless steel
- Wall mounting brackets supplied
- 40mm waste outlet included

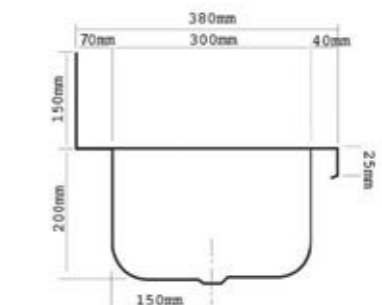
**Optional**

- 316 grade stainless steel
- Waste centre, left or right

Custom wash troughs can be made to any length. Type B is a good option when a non standard length or waste position is required in a child care facility.



**TYPE C** Custom Wash Trough Square Corners



**Features**

- New Zealand made
- Heavy duty 1.2mm, 304 grade stainless steel
- Wall mounting brackets supplied
- 40mm waste outlet included

**Optional**

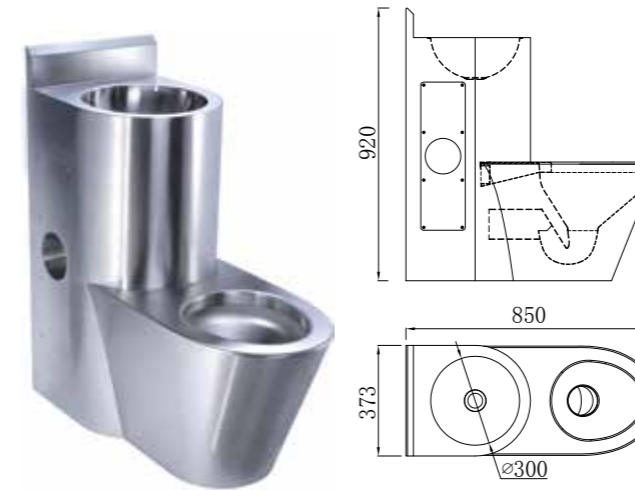
- 316 grade stainless steel
- Waste centre, left or right

Custom wash troughs can be made to any length. Type C is a good option when a non standard length or waste position is required in a child care facility.



## TOILETS

### SCTP Security Combination Toilet Pan P Trap



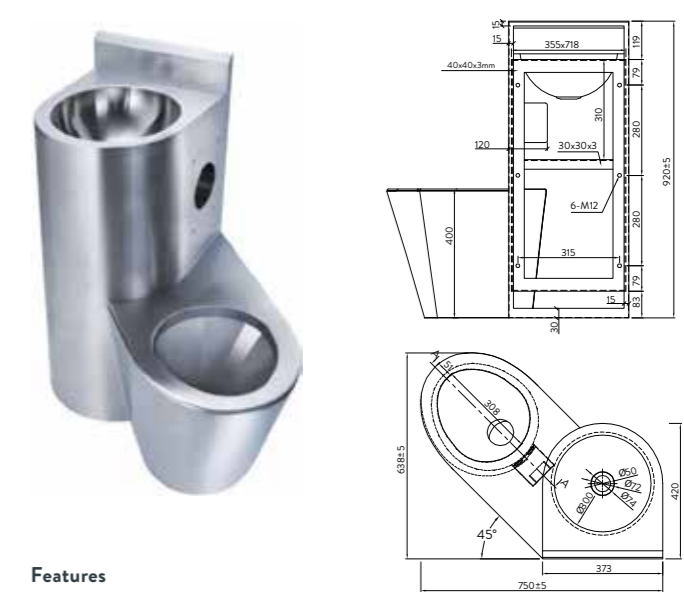
**Features**

- High vandal resistance, low maintenance
- Heavy duty 1.5mm, 304 grade stainless steel
- Easily replaces damaged existing toilets
- Access panel with security screws
- Safety radius front edges

**Optional**

- Toilet seat
- Cheek warmers
- Cistern

### SCTP35L (35° LEFT) / SCTP35R (35° RIGHT) Security Combination Toilet Pan P Trap



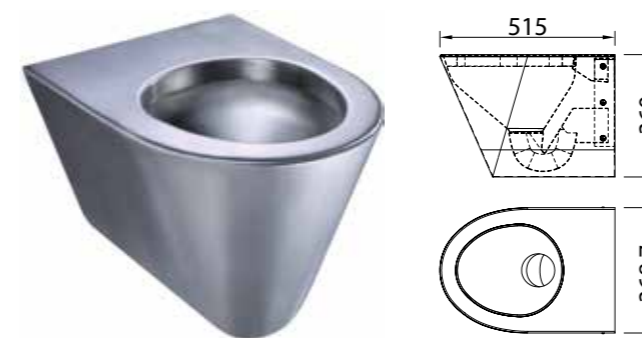
**Features**

- High vandal resistance, low maintenance
- Heavy duty 1.5mm, 304 grade stainless steel
- Easily replaces damaged existing toilets
- Access panel with security screws
- Safety radius front edges

**Optional**

- Toilet seat
- Cheek warmers
- Cistern

### WMTP Wall Mounted Toilet Pan



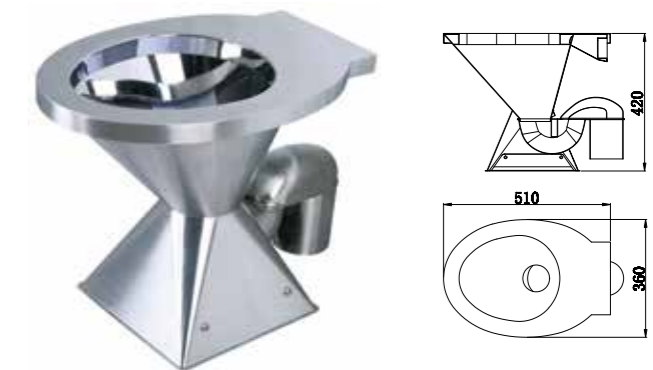
**Features**

- High vandal resistance, low maintenance
- Heavy duty 1.5mm, 304 grade stainless steel
- Easily replaces damaged existing toilets
- Access panel with security screws
- Safety radius front edges

**Optional**

- Toilet seat
- Cheek warmers
- Cistern

### PEDESTAL TOILET PTPP Trap / PSPS Trap



**Features**

- High vandal resistance, low maintenance
- Heavy duty 1.5mm, 304 grade stainless steel
- Easily replaces damaged existing toilets
- Access panel with security screws
- Safety radius front edges

**Optional**

- Toilet seat
- Cheek warmers
- Cistern

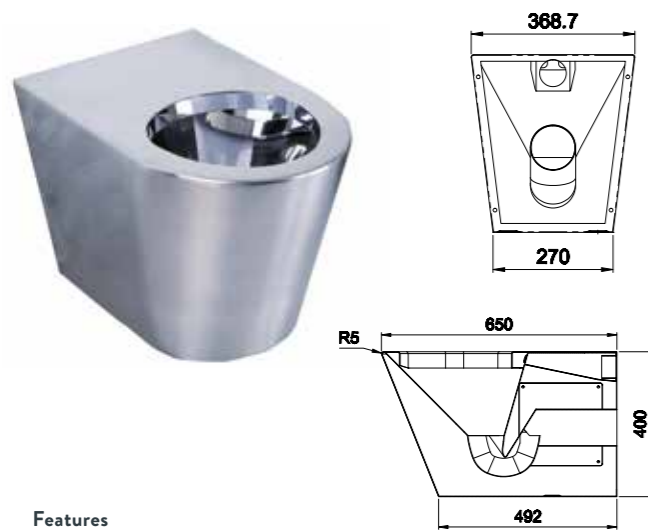
## TOILETS AND URINALS



# TOILETS

## WALL FACING STANDARD TOILET PAN

WFSTPP Trap / WFSTPS Trap



**Features**

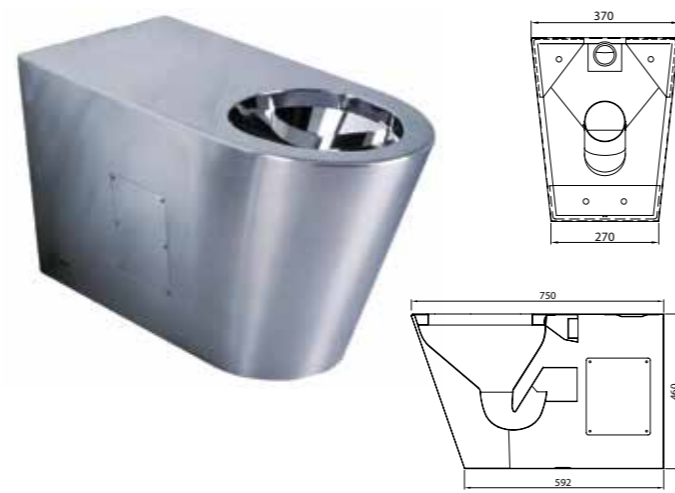
- High vandal resistance, low maintenance
- Heavy duty 1.5mm, 304 grade stainless steel
- Easily replaces damaged existing toilets
- Access panel with security screws
- Safety radius front edges

**Optional**

- Toilet seat
- Cheek warmers
- Cistern

## WALL FACING ACCESSIBLE TOILET PAN

WFDTPP Trap / WFDTPS Trap



**Features**

- High vandal resistance, low maintenance
- Heavy duty 1.5mm, 304 grade stainless steel
- Easily replaces damaged existing toilets
- Access panel with security screws
- Safety radius front edges

**Optional**

- Toilet seat
- Cheek warmers
- Cistern

## WALL FACING STANDARD TOILET PAN & CISTERN

WFSTPCP P Trap / WFSTPCP S Trap



**Features**

- High vandal resistance, low maintenance
- Heavy duty 1.5mm, 304 grade stainless steel
- Easily replaces damaged existing toilets
- Access panel with security screws
- Safety radius front edges
- Built in cistern

**Optional**

- Toilet seat
- Cheek warmers

## WALL FACING ACCESSIBLE TOILET PAN & CISTERN

WFDTPCP P Trap / WFDTPCP S Trap



**Features**

- High vandal resistance, low maintenance
- Heavy duty 1.5mm, 304 grade stainless steel
- Easily replaces damaged existing toilets
- Access panel with security screws
- Safety radius front edges
- Built in cistern

**Optional**

- Toilet seat
- Cheek warmers

# URINALS

## URI2 Wall Hung Single Urinal



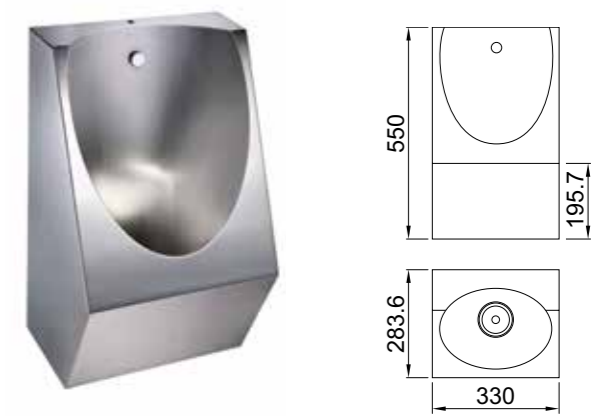
**Features**

- 330 x 412 x 500mm
- Heavy duty 1.2mm, 304 grade stainless steel
- Includes back entry spreader
- 50mm waste outlet, waste included

**Optional**

- Dropper pipe
- Cistern
- Privacy divider

## URI3 Wall Hung Single Urinal



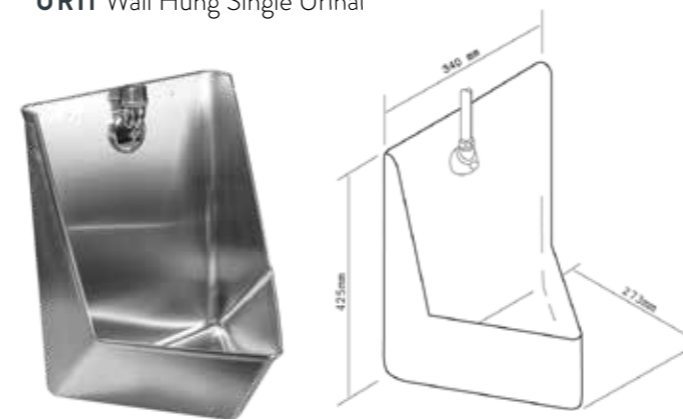
**Features**

- 330 x 283.6 x 550mm
- Heavy duty 1.2mm, 304 grade stainless steel
- Includes top entry spreader
- Includes back entry spreader

**Optional**

- Dropper pipe
- Cistern
- Privacy divider

## URI1 Wall Hung Single Urinal



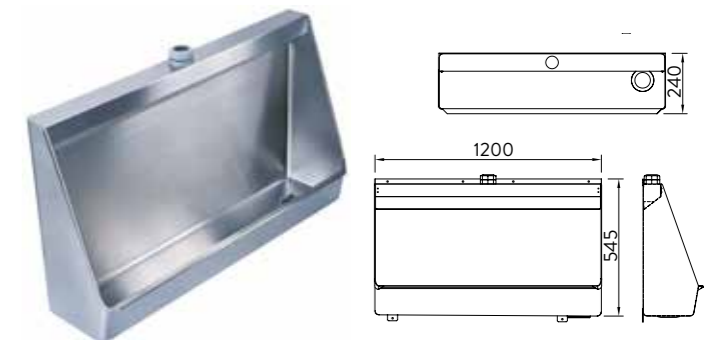
**Features**

- 340 x 273 x 425mm
- Heavy duty 1.2mm, 304 grade stainless steel
- Includes top entry spreader
- 50mm waste outlet, waste included

**Optional**

- Dropper pipe
- Cistern
- Privacy divider

## WHU-1200 Wall Hung Urinal



**Features**

- 1200 x 240 x 545mm
- Heavy duty 1.2mm, 304 grade stainless steel
- Sparge pipe
- 50mm Dome Waste

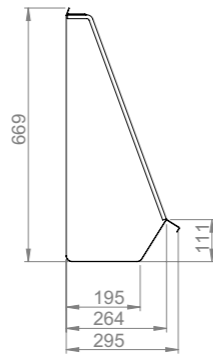
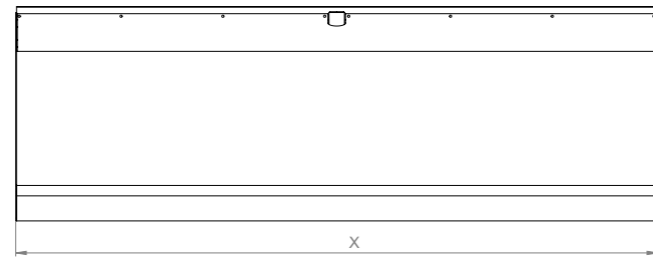
**Optional**

- Stainless steel dropper pipe



# CUSTOM URINALS

## WALL HUNG Custom Wall Hung Urinal



**Features**

- New Zealand made
- Heavy duty 1.2mm, 304 grade stainless steel
- A range of lengths to suit your specification
- Sparge pipe
- Pinex backing

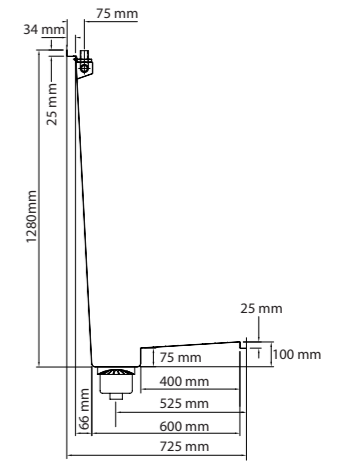
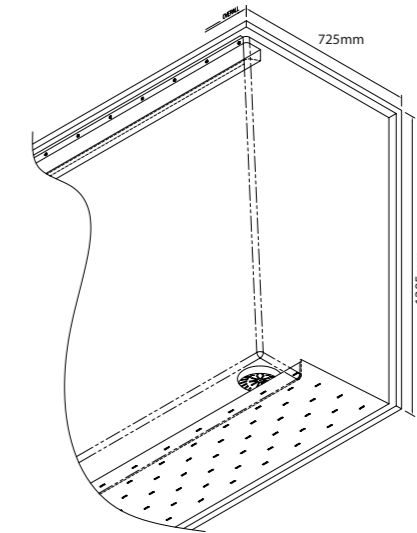
**Optional**

- Welded in Esi-Clean Trap
- Stainless steel dropper pipe
- Waste centre, left or right



# CUSTOM URINALS

## SLAB Custom Slab Urinal



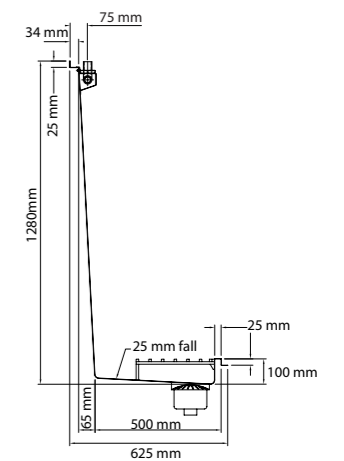
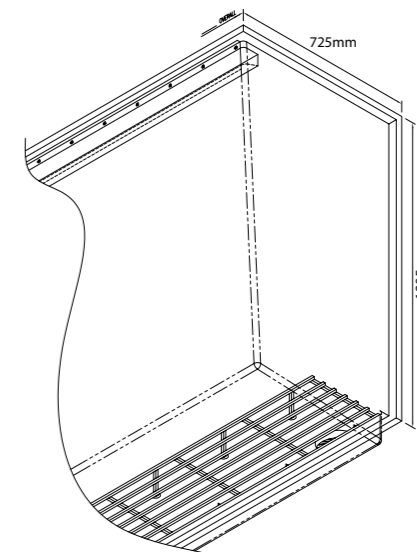
**Features**

- New Zealand made
- Heavy duty 1.2mm, 304 grade stainless steel
- Fully customisable length to your specification
- Sparge pipe
- Pinex backing

**Optional**

- Freestanding end wing wall
- Various sized Esi-Clean traps available; 50, 65, 75mm
- Stainless steel dropper pipes are available

## FLUSHING STEP Custom Flushing Step



**Features**

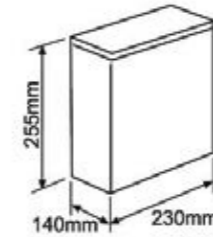
- New Zealand made
- Heavy duty 1.2mm, 304 grade stainless steel
- Fully customisable length to your specification
- Sparge pipe
- Pinex backing

**Optional**

- Freestanding end wing wall
- Various sized Esi-Clean traps available; 50, 65, 75mm
- Stainless steel dropper pipes are available

# CISTERNS

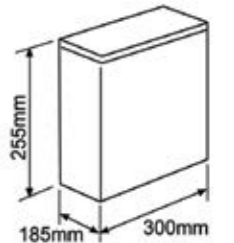
CAF1 Cistern Auto Flush 5 Litre



- Features**
- 255 x 230 x 140mm
  - New Zealand made
  - Heavy duty 1.0mm, 304 grade stainless steel
  - Includes automatic flushing valve
  - 25mm outlet

- Optional**
- Dropper pipe
  - Cistern lid

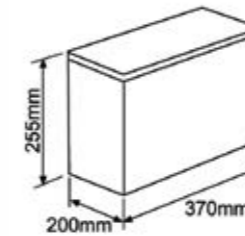
CAF2 Cistern Auto Flush 9 Litre



- Features**
- 255 x 300 x 185mm
  - New Zealand made
  - Heavy duty 1.0mm, 304 grade stainless steel
  - Includes automatic flushing valve
  - 25mm outlet

- Optional**
- Dropper pipe
  - Cistern lid

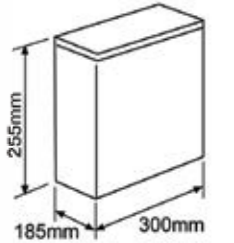
CAF3 Cistern Auto Flush 14 Litre



- Features**
- 255 x 370 x 200mm
  - New Zealand made
  - Heavy duty 1.0mm, 304 grade stainless steel
  - Includes automatic flushing valve
  - 25mm outlet

- Optional**
- Dropper pipe
  - Cistern lid

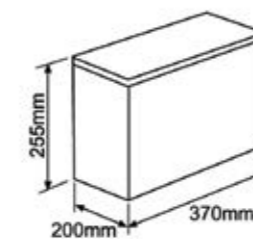
CMF1 Cistern Manual Flush 9 Litre



- Features**
- 255 x 300 x 185mm
  - New Zealand made
  - Heavy duty 1.0mm, 304 grade stainless steel
  - Includes pull chain
  - 50mm outlet

- Optional**
- Dropper pipe
  - Cistern lid

CMF2 Cistern Manual Flush 14 Litre



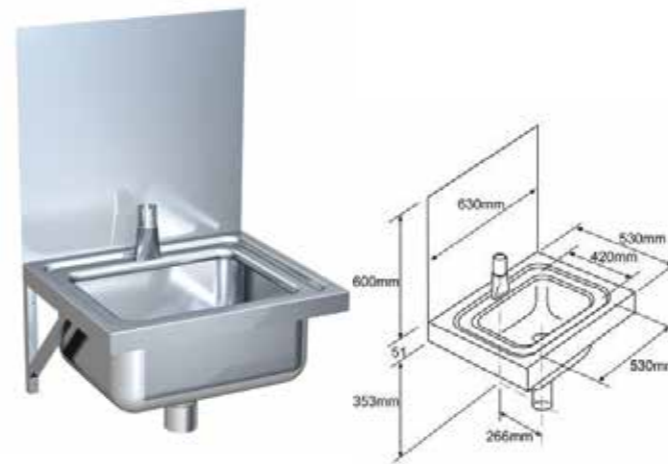
- Features**
- 255 x 370 x 200mm
  - New Zealand made
  - Heavy duty 1.0mm, 304 grade stainless steel
  - Includes pull chain
  - 50mm outlet

- Optional**
- Dropper pipe
  - Cistern lid

# CISTERNS

# HEALTHCARE

**FRSSWM75 / FRSSWM100**  
Flushing Rim Sluice Sink Wall Mounted



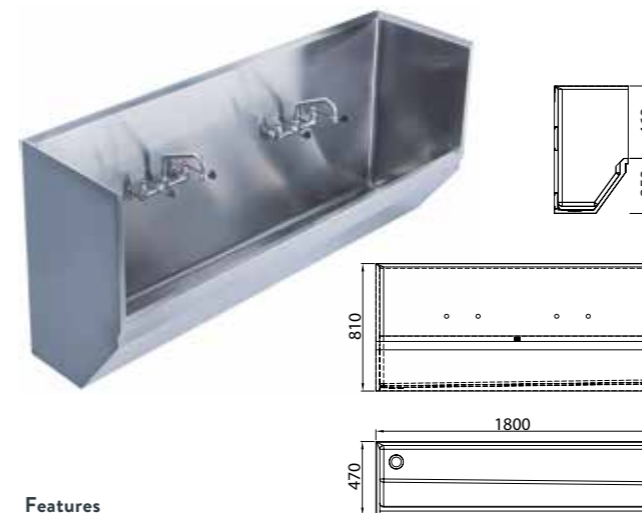
- Features**
- 630 x 530 x 250mm
  - New Zealand made
  - Heavy duty 1.2mm, 304 grade stainless steel
  - 600mm upstand
  - Includes brackets
  - 75mm or 100mm outlet
- Optional**
- Bed pan jets
  - Bottle jets
  - Stainless steel pull chain cistern
  - 14 litres minimum

**FRSSWI75 / FRSSWI100**  
Flushing Rim Sluice Sinks for Custom Bench



- Features**
- New Zealand made
  - Heavy duty 1.2mm, 304 grade stainless steel
  - 75mm or 100mm outlet
  - Welded into Custom bench sold separately
- Optional**
- Bed pan jets
  - Bottle jets
  - Stainless steel pull chain cistern
  - Stainless steel pull chain cistern 14 litres

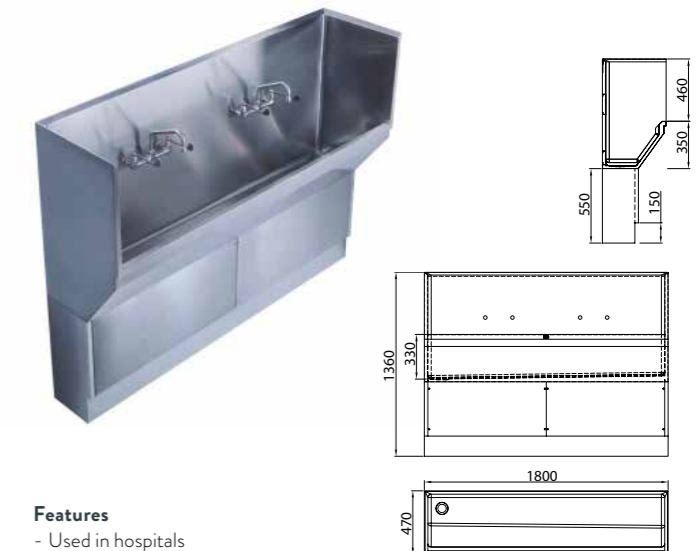
**WS1 Custom Wash Station Wall Mount**



- Features**
- Used in hospitals
  - Suits scrub up procedure
  - Double skinned, robust construction
  - Made from grade 304 or 316 acid resistant stainless
  - Left or right hand waste position
  - Fully welded internal surfaces for a seamless, hygienic finish
  - Radius internal corners - easy cleaning
  - Made to custom lengths

**Taps not included**

**WS2 Custom Wash Station Floor Mount**



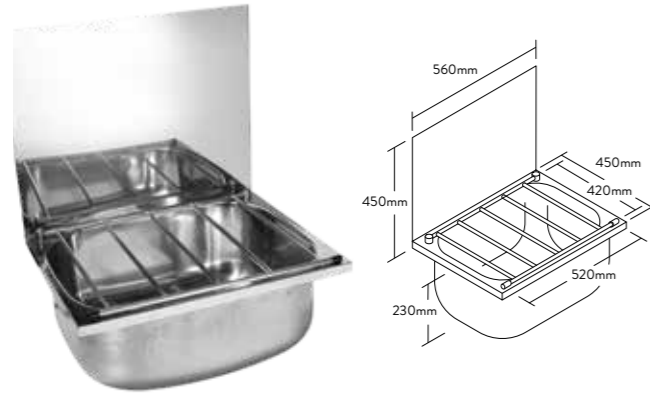
- Features**
- Used in hospitals
  - Suits scrub up procedure
  - Double skinned, robust construction
  - Made from grade 304 or 316 acid resistant stainless
  - Left or right hand waste position
  - Fully welded internal surfaces for a seamless, hygienic finish
  - Radius internal corners - easy cleaning
  - Made to custom lengths

**Taps not included**

# HEALTHCARE

# HEALTHCARE

## XL Cleaner Sink



### Features

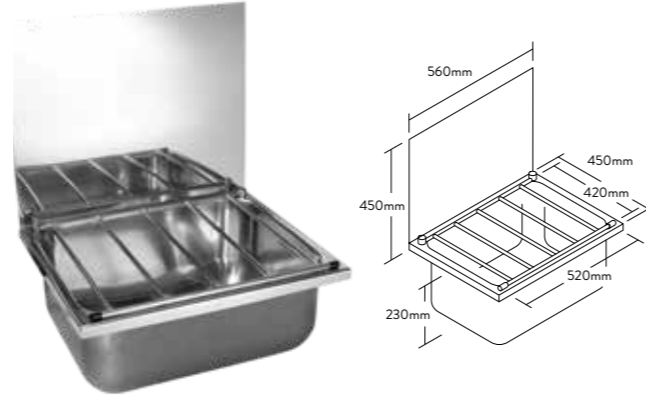
- 560 x 450, Bowl 520 x 420 x 230mm
- New Zealand made
- 0.8mm, 304 grade stainless steel
- 450mm back upstand
- Includes brackets
- 90mm waste outlet

### Optional

- Overflow

Model	Bucket Grid	Extra Upstand
XLPK1	No	No
XLPK2	Yes	No
XLPK3-R	No	Right
XLPK3-L	No	Left
XLPK4-R	Yes	Right
XLPK4-L	Yes	Left

## X1 Cleaner Sink Heavy Duty



### Features

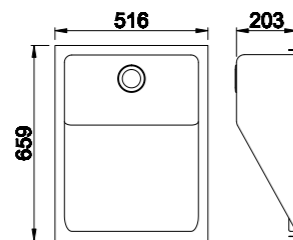
- 560 x 450, Bowl 520 x 420 x 230mm
- New Zealand made
- Heavy duty 1.6mm, 304 grade stainless steel
- 450mm back upstand
- Includes brackets
- 40mm waste outlet

### Optional

- Overflow

Model	Bucket Grid	Extra Upstand
XIPK1	No	No
XIPK2	Yes	No
XIPK3-R	No	Right
XIPK3-L	No	Left
XIPK4-R	Yes	Right
XIPK4-L	Yes	Left

## BB1 Baby Bath Stainless Steel



### Features

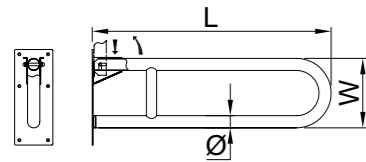
- 516 x 659 x 203mm
- Designed for top mounting into a benchtop
- Internal radius corners for added safety and hygiene
- Flushline fixing clamps supplied
- 50mm plug & waste supplied
- Supplied with clips for topmount

# WASHROOM TAPS AND ACCESSORIES



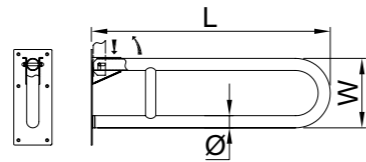
# WASHROOM ACCESSORIES

**GRMH1** Grab Rail Movable Hinge



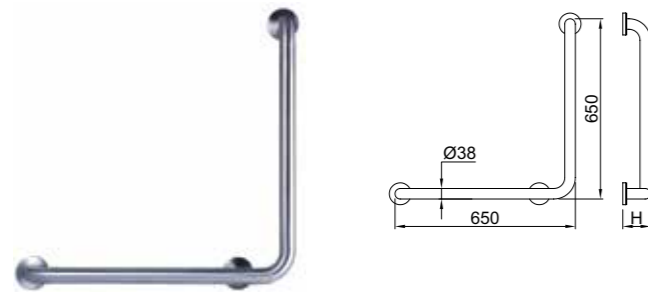
- Features**
- 457 x 185mm
  - Ø32mm

**GRMH2** Grab Rail Movable Hinge



- Features**
- 610 x 185mm
  - Ø32mm

**GRL1 LEFT ANGLE / GRR1 RIGHT ANGLE**  
Grab Rail Angle



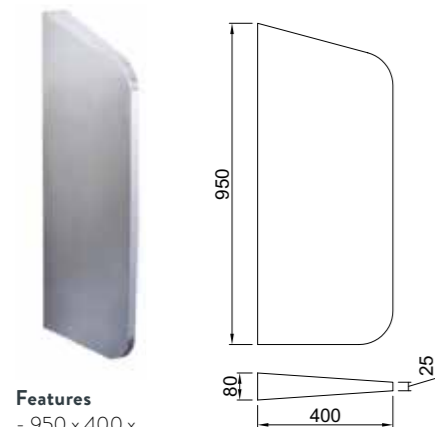
- Features**
- 750 x 750mm
  - Ø32mm

**GRS1 457MM / GRS2 610MM**  
Grab Rail Straight



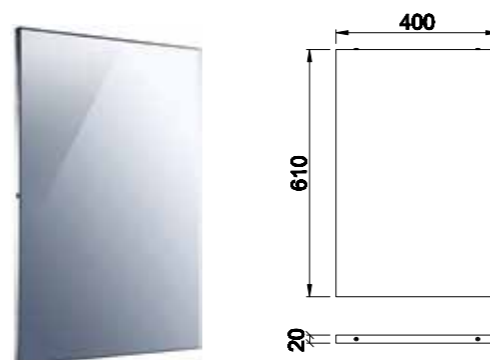
- Features**
- Ø32mm

**PD1** Privacy Divider



- Features**
- 950 x 400 x 80/25mm

**WMSS1** Wall Mirror



- Features**
- 610 x 400 x 20mm

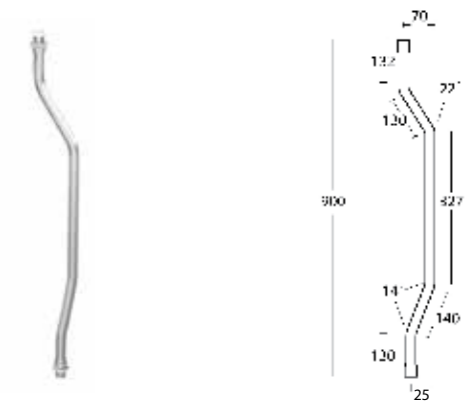
# WASHROOM ACCESSORIES

**DP1** Drop Pipe Urinal



- Features**
- 900mm
  - Ø22mm

**DP2** Drop Pipe Single Urinal



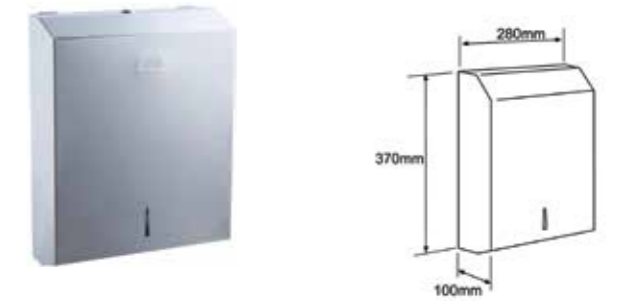
- Features**
- 900mm
  - Ø22mm

**TRD1** Toilet Roll Dispenser



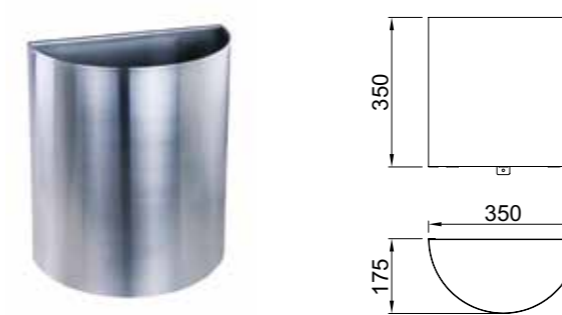
- Features**
- 260 x 255 x 120mm

**PTD1** Paper Towel Roll Dispenser



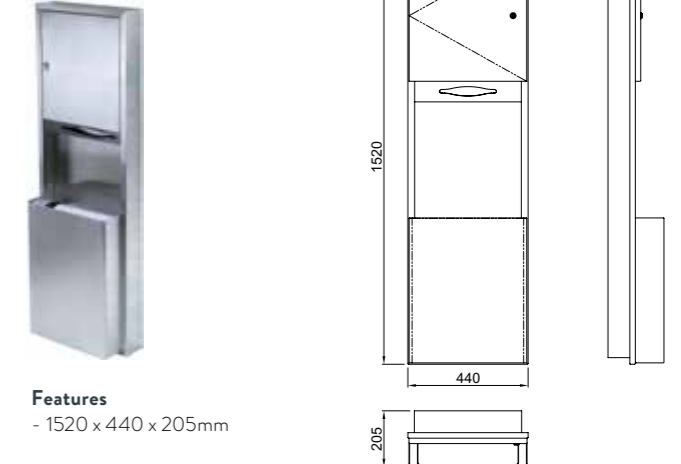
- Features**
- 370 x 280 x 100mm

**RB1** Rubbish Bin



- Features**
- 350 x 350 x 175mm

**PTC1** Paper Towel Cabinet



- Features**
- 1520 x 440 x 205mm

# TAPS

## NOBILI AS35300/BCR

Wall Mount Timed Button Tap



**Features**

- Timed tap
- Chrome
- 1/2" connection
- Pushbutton control
- 5 possible outflow rates

## NOBILI AS35500/VCR

Timed Wall Mounted Tap



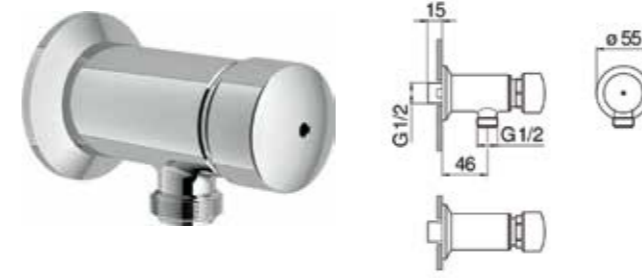
**Features**

- Timed tap
- Chrome
- 1/2" connection
- Pushbutton control
- 5 possible outflow rates

# TAPS

## NOBILI AS35400/BCR

Timed Wall Mounted Tap

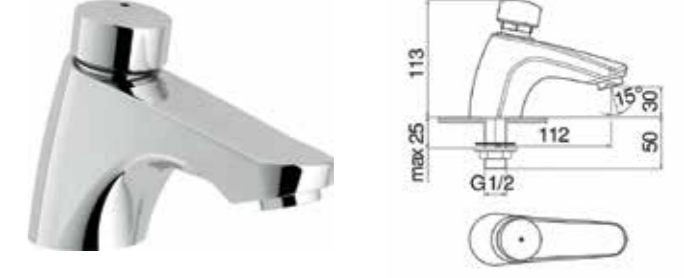


**Features**

- Timed tap
- Chrome
- 1/2" connection
- Pushbutton control
- 5 possible outflow rates

## NOBILI AS35200/BCR

Time Flow Basin Tap

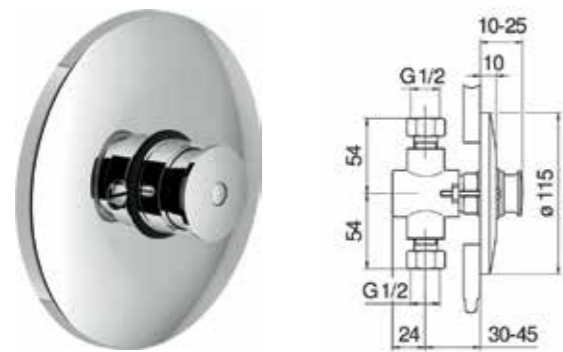


**Features**

- Timed tap
- Chrome
- 1/2" connection
- Pushbutton control
- 5 possible outflow rates

## NOBILI AS35600CR

Timed Flush Fit Tap



**Features**

- Timed tap
- Chrome
- 1/2" connection
- Pushbutton control
- 5 possible outflow rates

## NOBILI IRAV00158/TCR

Wall Mounted Infrared Tap

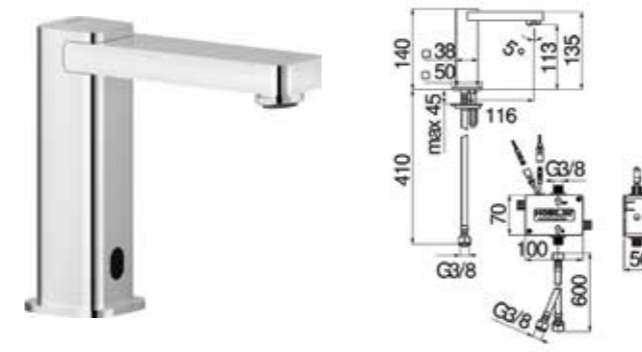


**Features**

- Wall-mounted cold water infrared control
- Chrome
- Anti limescale aerator M 22 x 1
- Length 200 mm
- Battery powered
- External part and flush-fit part

## NOBILI IRLP90236CR

Electronic Sensor Tap

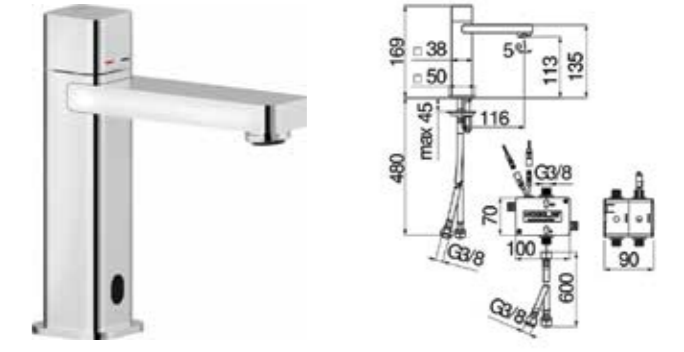


**Features**

- Cold water infrared control
- Chrome
- Anti limescale aerator M 24 x 1
- Battery powered
- Ø3/8" stainless steel flexible pipe

## NOBILI IRLP90118/3CR

Electronic Sensor Mixer



**Features**

- Infrared control
- Chrome
- Anti limescale aerator M 24 x 1
- Battery powered
- Ø3/8" stainless steel flexible pipe

## WASTE KITS

**AW010** Waste Kit



- Features**
- 90mm waste kit with overflow
  - Universal waste kit
  - Suite grill and round overflow

**AW305** Waste Kit



- Features**
- 90mm waste kit with overflow
  - Space saver waste kit
  - Suite rectangle plate overflow

**AW114** Waste



- Features**
- 90mm waste kit with no overflow

**AW144** Waste



- Features**
- 40mm waste kit with no overflow

**AW051** Dri-Seal Benchtop Protector



- Features**
- Suitable for most mixer brands
  - Durable construction
  - Highly recommended for laminate benchtops

**AW052** Dri-Seal Benchtop Protector



- Features**
- Suitable for most mixer brands
  - Durable construction
  - Highly recommended for laminate benchtops

## WASTE KITS

# DRINKING FOUNTAINS

**DF1** Drinking Fountain Wall Mounted



- Features**
- 350 x 305 x 225mm
  - Heavy duty 1.2mm, 304 grade stainless steel
  - 40mm stainless steel waste outlet
  - Wall mounting brackets included
  - 75mm upstand
  - Includes bubbler

- Optional**
- Bottle filler

**DF2** Drinking Fountain Floor Standing Round



- Features**
- 310Ø x 940mm
  - Heavy duty 1.2mm, 304 grade stainless steel
  - Includes access panel with security screws
  - 40mm stainless steel waste outlet
  - Includes bubbler

**DF3** Drinking Fountain Floor Standing Square



- Features**
- 350 x 350 x 940mm
  - Heavy duty 1.2mm, 304 grade stainless steel
  - Includes vented access panel with security screws
  - 40mm stainless steel waste outlet
  - Includes bubbler

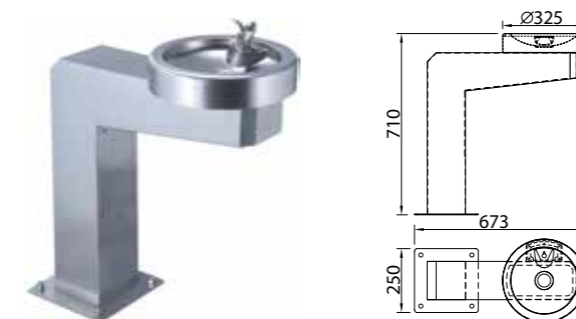
- Optional**
- Bottle filler

**DF4** Drinking Fountain Floor Standing Pedestal



- Features**
- 310Ø x 940mm
  - Heavy duty 1.2mm, 304 grade stainless steel
  - Includes access panel with security screws
  - 40mm stainless steel waste outlet
  - Includes bubbler

**DF5** Drinking Fountain Floor Standing Disabled



- Features**
- 673 x 325 x 710mm
  - Heavy duty 1.2mm, 304 grade stainless steel
  - Includes access panel with security screws
  - 40mm stainless steel waste outlet
  - Includes bubbler

- Optional**
- Bottle filler

**DFB1** Drinking Fountain Bubbler



**DFBF1** Drinking Fountain Bottle Filler

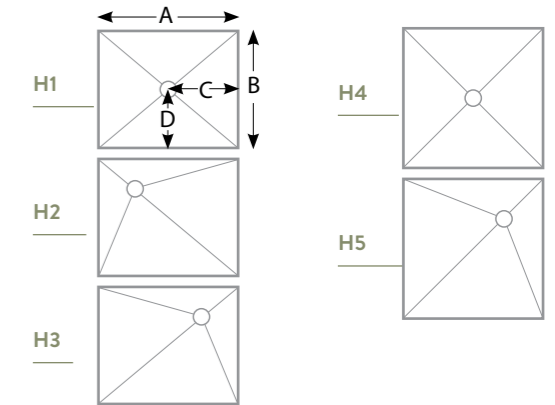


# DRINKING FOUNTAINS



# SHOWER TRAYS

## PRESSED SHOWER TRAYS

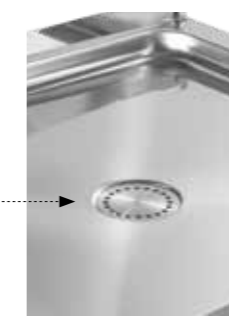


**Features**

- New Zealand made
- 0.9mm, 304 grade stainless steel
- 40mm waste hole
- Loose polystyrene base

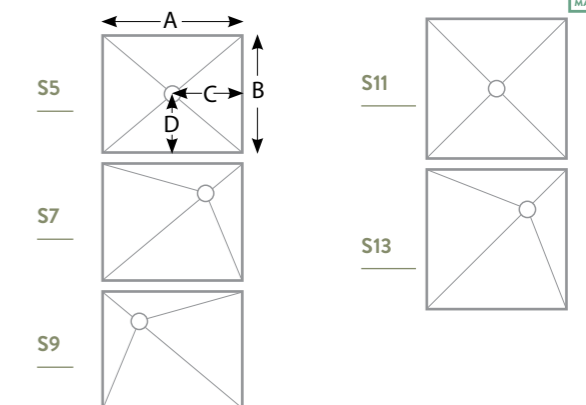
**Optional**

- Pinex timber base (centre waste only)
- Integrated Waste
- 90mm waste hole
- Threshold Step



Model	Code (40mm)	A (mm)	B (mm)	C (mm)	D (mm)	Depth
H1	WBP151106	925	775	462	387	100
H2	WBP151112	925	775	150	150	100
H3	WBP151118	925	775	150	150	100
H4	WBP151124	925	925	462	462	100
H5	WBP151130	925	925	180	180	100

## FABRICATED SHOWER TRAYS

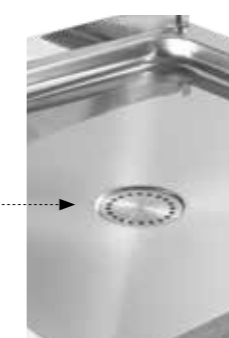


**Features**

- New Zealand made
- 0.9mm, 304 grade stainless steel
- 40mm waste hole
- Loose polystyrene base

**Optional**

- Pinex timber base (centre waste only)
- Integrated Waste
- 90mm waste hole
- Threshold Step



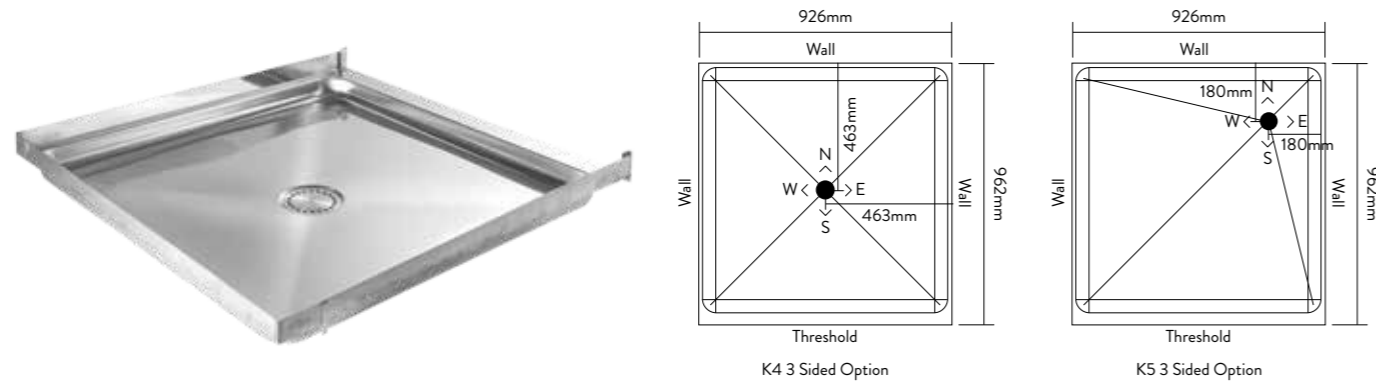
Model	Code (40mm)	A (mm)	B (mm)	C (mm)	D (mm)	Depth
S5	WBP151006	925	775	462	387	100
S7	WBP151012	925	775	150	150	100
S9	WBP151018	925	775	150	150	100
S11	WBP151024	925	925	462	462	100
S13	WBP151030	925	925	150	150	100

Custom size fabricated shower trays are available

# SHOWER TRAYS

# SHOWER TRAYS

## KAINGA ORA MODEL (K SERIES)



### Features

- New Zealand made
- 0.9mm, 304 grade stainless steel
- Pressed shower tray
- Loose polystyrene base
- Integrated Welded in waste

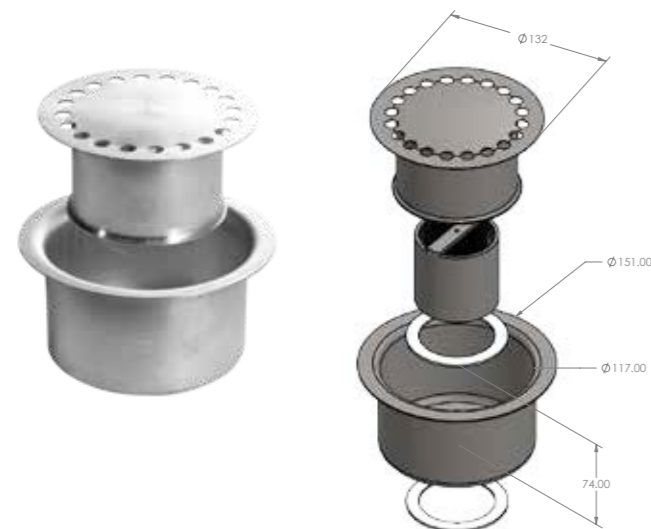
### Optional

- Pinex timber base (centre waste only)

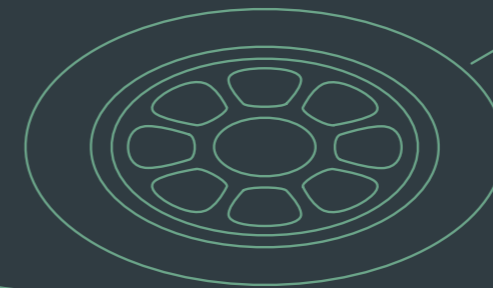
Model	Code (40mm)	Waste Position Outlet	No. of Sides	Width	Length	Height
K4	WBP151143	Centre Bottom	3	926	962	100
K4*	WBP151140	Centre Side	3	926	962	100
K5	WBP151146	Corner Bottom	3	926	962	100
K5*	WBP151148	Corner Side	3	926	962	100

\* Further information will be required for position of waste outlet (N,E, S or W)

## AW900 Integrated Waste Bottom Outlet



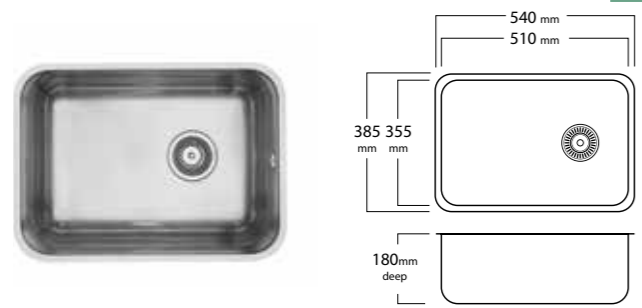
## AW901 Integrated Waste Side Outlet



# COMMERCIAL SINK BOWLS

# COMMERCIAL SINK BOWLS

EC108 Riva



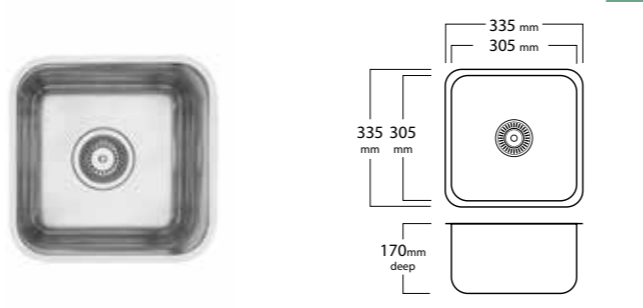
**Features**

- 540 x 385mm, bowl 510 x 355 x 180mm
- New Zealand made
- 0.9mm, 304 grade stainless steel
- 90mm waste to suit waste disposal
- Topmount, undermount or weld in
- Includes strainer waste

**Optional**

- Overflow
- Other waste hole sizes
- 316 grade stainless steel

EC104 Aria



**Features**

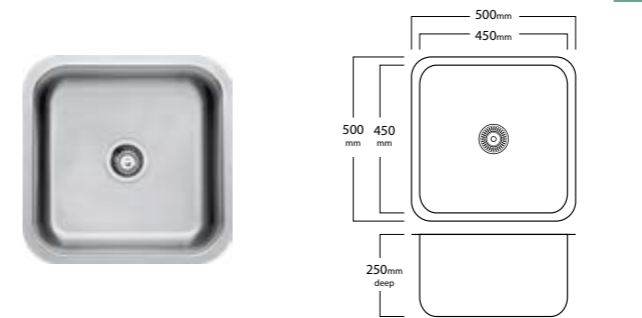
- 335 x 335mm, bowl 305 x 305 x 170mm
- New Zealand made
- 0.9mm, 304 grade stainless steel
- 90mm waste to suit waste disposal
- Topmount, undermount or weld in
- Includes strainer waste

**Optional**

- Overflow
- Other waste hole sizes
- 316 grade stainless steel

# COMMERCIAL SINK BOWLS

EL101 Remo



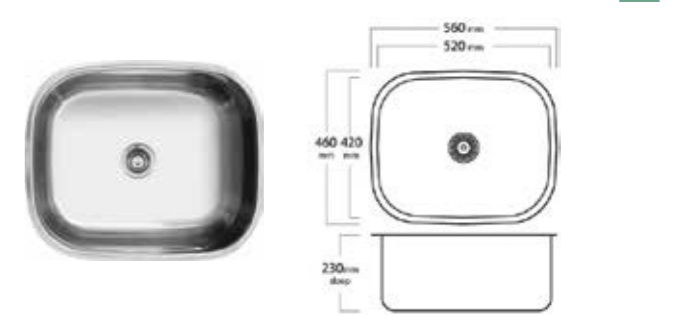
**Features**

- 500 x 500mm, Bowl 450 x 450 x 250mm
- New Zealand made
- Heavy duty 1.2mm, 304 grade stainless steel
- 90mm waste to suit waste disposal
- Topmount, undermount or weld in
- Includes strainer waste

**Optional**

- Overflow

EL102 Questo



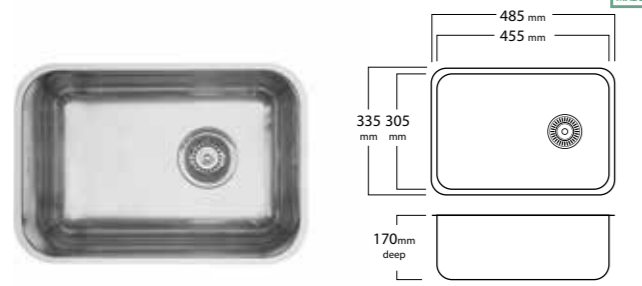
**Features**

- 560 x 460mm, Bowl 520 x 420 x 230mm
- New Zealand made
- 0.8mm, 304 grade stainless steel
- 90mm waste to suit waste disposal
- Topmount, undermount or weld in
- Includes strainer waste

**Optional**

- Overflow
- Other waste hole sizes
- Heavy duty 1.2mm, 316 grade stainless steel

EC106 Ampio



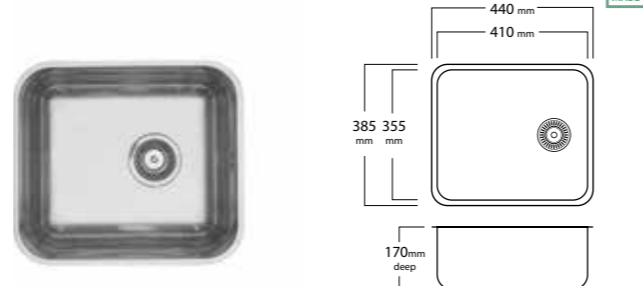
**Features**

- 485 x 335mm, bowl 455 x 305 x 170mm
- New Zealand made
- 0.9mm, 304 grade stainless steel
- 90mm waste to suit waste disposal
- Topmount, undermount or weld in
- Includes strainer waste

**Optional**

- Overflow
- Other waste hole sizes
- 316 grade stainless steel

EC107 Bella



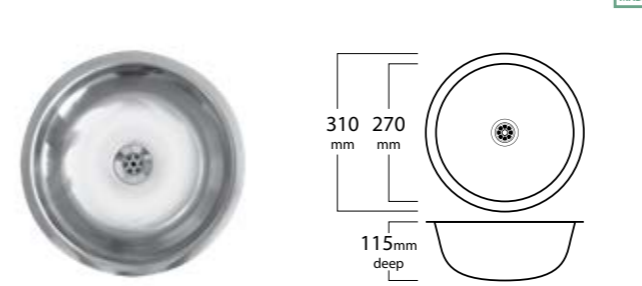
**Features**

- 440 x 385mm, bowl 410 x 355 x 170mm
- New Zealand made
- 0.9mm, 304 grade stainless steel
- 90mm waste to suit waste disposal
- Topmount, undermount or weld in
- Includes strainer waste

**Optional**

- Overflow
- Other waste hole sizes
- 316 grade stainless steel

ER103 Otto



**Features**

- Ø310mm, Bowl Ø270 x 115mm
- New Zealand made
- 0.9mm, 304 grade stainless steel
- 40mm waste
- Topmount, undermount or weld in
- Includes strainer waste

**Optional**

- Smaller waste hole sizes
- 316 grade stainless steel

ER104 Nove



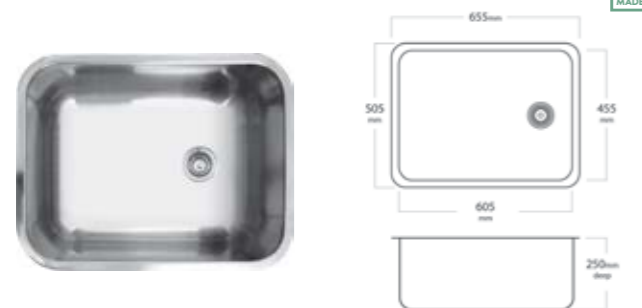
**Features**

- Ø350mm, Bowl Ø310 x 120mm
- New Zealand made
- 0.9mm, 304 grade stainless steel
- 40mm waste
- Topmount, undermount or weld in
- Includes strainer waste

**Optional**

- Overflow
- Smaller waste hole sizes
- 316 grade stainless steel

EL103 Grande



**Features**

- 655 x 505mm, Bowl 605 x 455 x 250mm
- New Zealand made
- Heavy duty 1.2mm, 304 grade stainless steel
- 50mm waste
- Topmount, undermount or weld in
- Includes strainer waste

**Optional**

- Overflow
- Other waste hole sizes
- 316 grade stainless steel

EL104 Grande Max



**Features**

- 655 x 505mm, Bowl 605 x 455 x 300mm
- New Zealand made
- Heavy duty 1.2mm, 304 grade stainless steel
- 50mm waste
- Topmount, undermount or weld in
- Includes strainer waste

**Optional**

- Overflow
- Other waste hole sizes
- 316 grade stainless steel

ER105 Viso



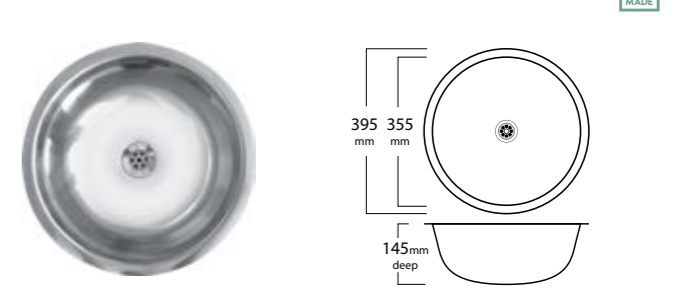
**Features**

- Ø370mm, Bowl Ø330 x 125mm
- New Zealand made
- 0.9mm, 304 grade stainless steel
- 40mm waste
- Topmount, undermount or weld in
- Includes strainer waste

**Optional**

- Overflow
- Smaller waste hole sizes
- 316 grade stainless steel

ER106 Anello



**Features**

- Ø395mm, Bowl Ø355 x 145mm
- New Zealand made
- 0.9mm, 304 grade stainless steel
- 40mm waste
- Topmount, undermount or weld in
- Includes strainer waste

**Optional**

- Overflow
- Smaller waste hole sizes
- 316 grade stainless steel

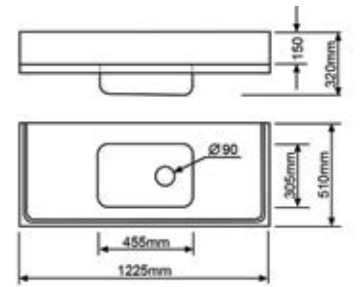
## STANDARD BENCHES

CLASSICLINE 500 SERIES C2-500 Sink Bench Single Bowl



**Features**

- 1225 x 505mm, bowl 455 x 305 x 170mm, fascia 38mm
- New Zealand made
- Heavy duty 1.2mm, 304 grade stainless steel
- 90mm round waste outlet
- Overflow
- Anti spill edge profile

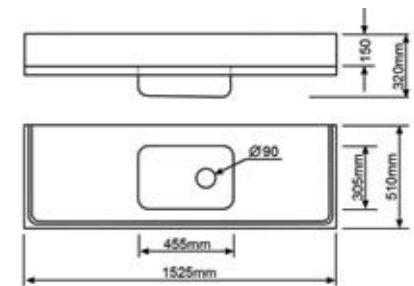


CLASSICLINE 500 SERIES C3-500 Sink Bench Single Bowl



**Features**

- 1525 x 505mm, bowl 455 x 305 x 170mm, fascia 38mm
- New Zealand made
- Heavy duty 1.2mm, 304 grade stainless steel
- 90mm round waste outlet
- Overflow
- Anti spill edge profile

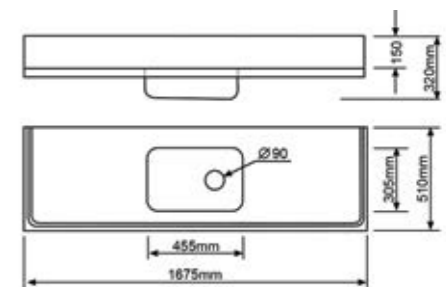


CLASSICLINE 500 SERIES C4-500 Sink Bench Single Bowl



**Features**

- 1675 x 505mm, bowl 455 x 305 x 170mm, fascia 38mm
- New Zealand made
- Heavy duty 1.2mm, 304 grade stainless steel
- 90mm round waste outlet
- Overflow
- Anti spill edge profile

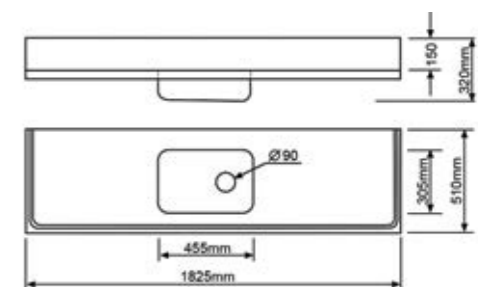


CLASSICLINE 500 SERIES C5-500 Sink Bench Single Bowl



**Features**

- 1825 x 505mm, bowl 455 x 305 x 170mm, fascia 38mm
- New Zealand made
- Heavy duty 1.2mm, 304 grade stainless steel
- 90mm round waste outlet
- Overflow
- Anti spill edge profile

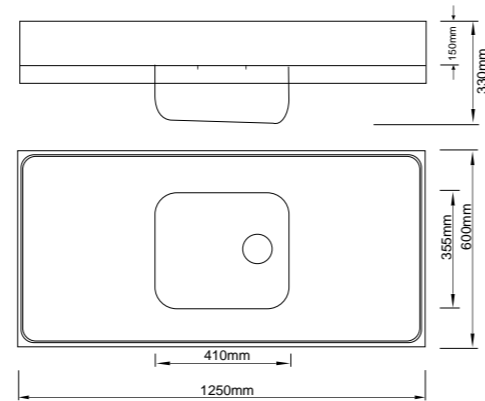


## STANDARD BENCHES



# STANDARD BENCHES

**CLASSICLINE 600 SERIES C2-600** Sink Bench Single Bowl

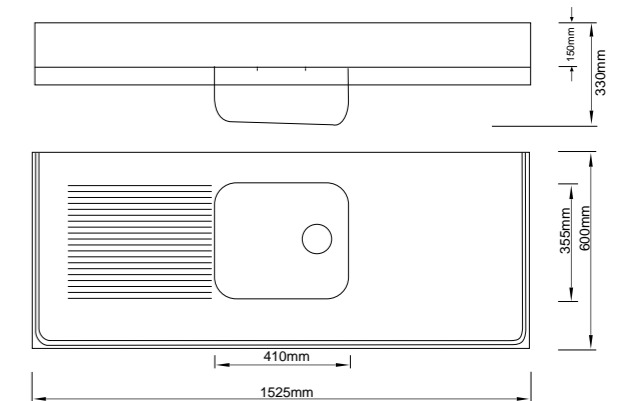


**Features**

- 1250 x 600mm, bowl 410 x 355 x 170mm,
- fascia 38mm
- New Zealand made
- Heavy duty 1.2mm, 304 grade stainless steel
- 90mm round waste outlet
- Overflow
- 150mm Upstand
- Anti spill edge profile

# STANDARD BENCHES

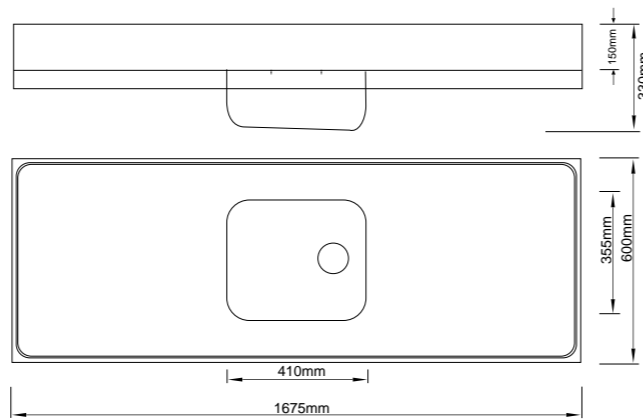
**CLASSICLINE 600 DRAINER SERIES C3-600-DL** Sink Bench Single Bowl



**Features**

- 1525 x 600mm, bowl 410 x 335 x 180mm,
- fascia 330mm
- New Zealand made
- Heavy duty 1.2mm, 304 grade stainless steel
- 90mm round waste outlet
- Overflow
- Anti spill edge profile

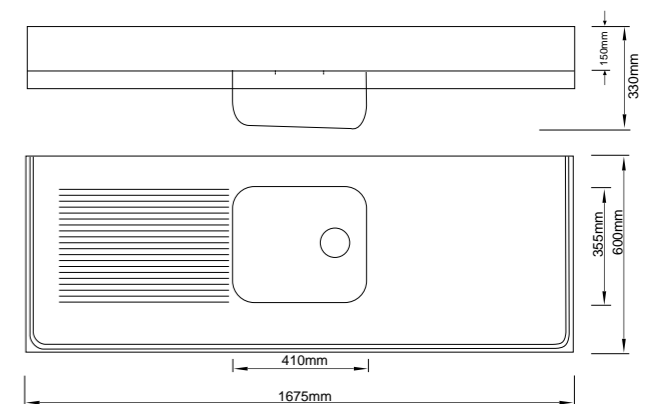
**CLASSICLINE 600 SERIES C4-600** Sink Bench Single Bowl



**Features**

- 1675 x 600mm, bowl 410 x 355 x 170mm,
- fascia 38mm
- New Zealand made
- Heavy duty 1.2mm, 304 grade stainless steel
- 90mm round waste outlet
- Overflow
- 150mm Upstand
- Anti spill edge profile

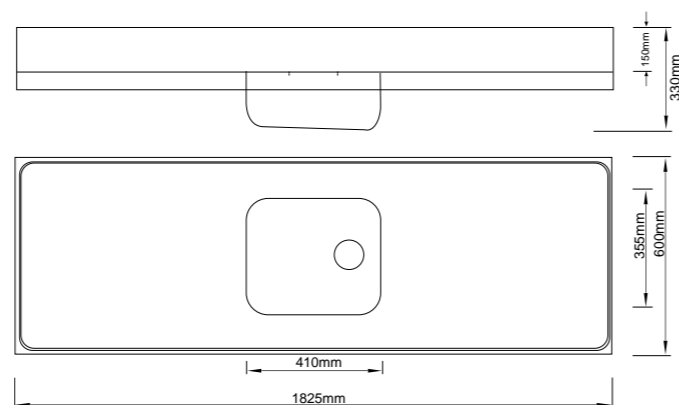
**CLASSICLINE 600 DRAINER SERIES C4-600-DL** Sink Bench Single Bowl



**Features**

- 1675 x 600mm, bowl 410 x 335 x 180mm,
- fascia 330mm
- New Zealand made
- Heavy duty 1.2mm, 304 grade stainless steel
- 90mm round waste outlet
- Overflow
- Anti spill edge profile

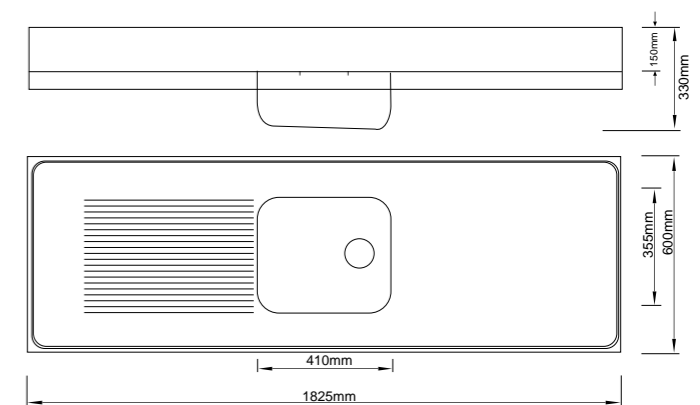
**CLASSICLINE 600 SERIES C5-600** Sink Bench Single Bowl



**Features**

- 1825 x 600mm, bowl 410 x 355 x 170mm,
- fascia 38mm
- New Zealand made
- Heavy duty 1.2mm, 304 grade stainless steel
- 90mm round waste outlet
- Overflow
- 150mm Upstand
- Anti spill edge profile

**CLASSICLINE 600 DRAINER SERIES C5-600-DL** Sink Bench Single Bowl

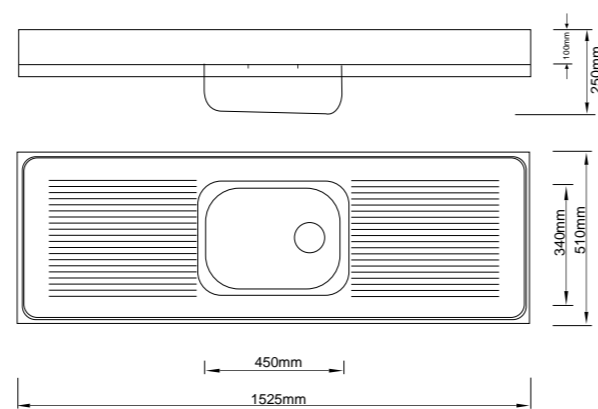


**Features**

- 1825 x 600mm, bowl 410 x 335 x 180mm,
- fascia 330mm
- New Zealand made
- Heavy duty 1.2mm, 304 grade stainless steel
- 90mm round waste outlet
- Overflow
- Anti spill edge profile

# STANDARD BENCHES

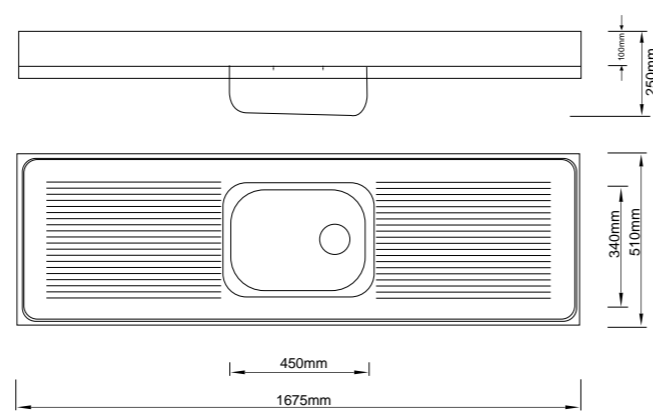
## STYLELINE SERIES M15 Sink Bench Single Bowl



**Features**

- 1525 x 510mm, bowl 450 x 340 x 150mm,
- fascia 250mm
- New Zealand made
- Heavy duty 1.2mm, 304 grade stainless steel
- 90mm round waste outlet
- Overflow
- 150mm Upstand
- Anti spill edge profile

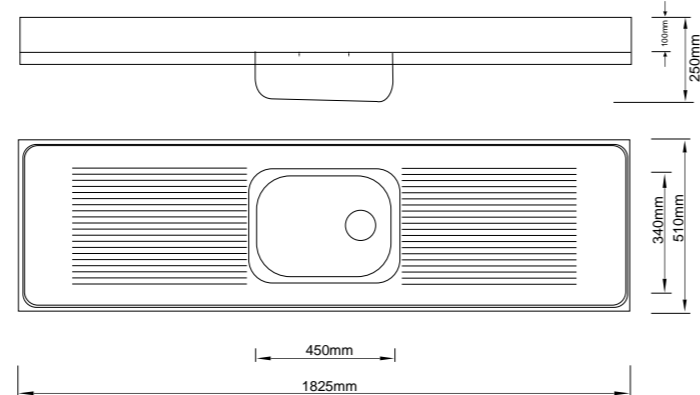
## STYLELINE SERIES M16 Sink Bench Single Bowl



**Features**

- 1675 x 510mm, bowl 450 x 340 x 150mm,
- fascia 250mm
- New Zealand made
- Heavy duty 1.2mm, 304 grade stainless steel
- 90mm round waste outlet
- Overflow
- 150mm Upstand
- Anti spill edge profile

## STYLELINE SERIES M18 Sink Bench Single Bowl



**Features**

- 1825 x 510mm, bowl 450 x 240 x 150mm,
- fascia 250mm
- New Zealand made
- Heavy duty 1.2mm, 304 grade stainless steel
- 90mm round waste outlet
- Overflow
- 150mm Upstand
- Anti spill edge profile

# Acero Stainless Steel Benches

Acero™

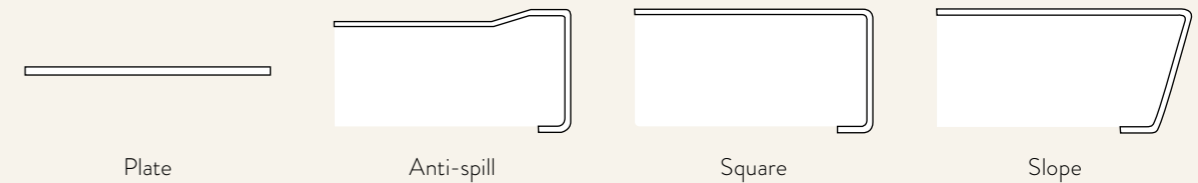
## Standard sizes or custom-made to your needs.

Acero are leaders in the fabrication of custom stainless steel benches.

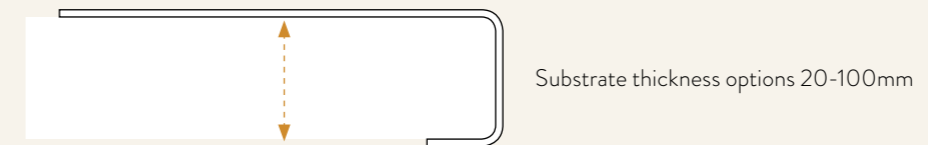
Stainless steel allows you to create a bench that is durable and hygienic while maintaining a timeless and classic style. Whether it's a kitchen benchtop or a custom commercial project, our experience and first rate craftsmanship means that we can help bring your vision to life.

Acero Stainless Steel Benches are New Zealand made using 1.2mm thick 304 grade stainless steel for fabrication or 6mm for plate benches. For applications that require extra corrosion protection, 316 grade stainless steel is available on request.

### 1. Choose your profile



### 2. Choose your substrate thickness



### 3. Choose your finish



Note, the Satin finish is the same as the Mercer DV Series sink range.

### 4. Choose your sink

If your bench design includes a Mercer sink, it may be welded in during installation. This is indicated at the front of each sinkware range with the 'Weld In' icon.

Contact our customer services team for more information and quotes.



Custom-made to your needs



**Mercer**  
by Acero

## WARRANTY

Mercer by Acero offers a limited warranty on all Mercer and Acero products. All terms of the warranty are subject to conditions outlined in the full warranty which can be found on our website at [acero.co.nz](http://acero.co.nz).

Acero offer a 10 year warranty on all stainless steel material when installed in a commercial environment. All other products including accessories, workmanship, tapware, parts and appliances come with a 1 year warranty. As our policy is one of continual improvement, we reserve the right to alter specifications without notice. While all care has been taken to ensure the specifications and dimensions are correct within this catalogue, we recommend using the actual product as a template to ensure a smooth installation process.

Product Range	Warranty
Stainless Steel Products	25 Year Limited Warranty - Residential & Commercial
Mercer Ceramic DB Butler Series	5 Year Limited Warranty
Mercer Duro Granite Series	25 Year Limited Warranty
Taps / Mixers	5 Year Limited Warranty
Cartridge for Taps	2 Year Limited Warranty
Parts & Accessories	1 Year Limited Warranty



# Mercer

by Acero

For all enquiries:

0800 263 7237

info@acero.co.nz

acero.co.nz

## Acero™

### Where to get more help?

If you're a commercial plumbing professional or design professional wanting assistance, please contact one of our experienced plumbing account managers. Details of our team are on the Acero website.